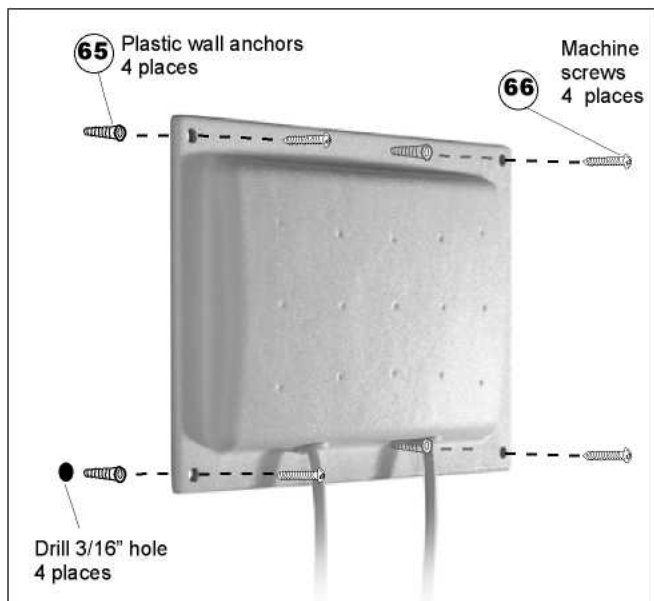


## SPECIFICATIONS

Model	J8445A
Frequency MHz:	2400 - 2500
Gain dBi:(with specified cable)	6.4
VSWR:	1.7:1 Typical
Impedance Nominal Ohms:	50
E-Plane (3 dB beamwidth):	55°
H-Plane (3 dB beamwidth):	80°
Front-to-Back Ratio:	15 dB
RF Connector:	Reverse Polarity SMA (male)
Polarization:	Linear (Vertical) (2x)
Coaxial Cable:	33" Plenum (cmp)
Enclosure:	White
Antenna Weight oz. (kg):	9.6 (.27)
Power (Watts):	10
Mounting:	Wall / Mast w/Articulating Mount
Dimensions in.(cm):	6.66 x 4.78 x 0.84 (16.9 x 12.1 x 2.1)

Figure 3. Surface/Wall mounting



### HP WARRANTY INFORMATION

See the Customer Support/Warranty booklet included with this product. A copy of the specific warranty terms applicable to your Hewlett-Packard products and replacement parts can be obtained from your HP Sales and Service Office or authorized dealer.

### SUPPORT

Hewlett-Packard offers support 24 hours a day, seven days a week through the use of a number of automated electronic services. See the Customer Support /Warranty booklet that came with your product for information on how to use these services to get technical support. The HP ProCurve web site, <http://www.hp.com/go/hpprocurve> also provides up-to-date support information under "Technical support".

Additionally, your HP-authorized network reseller can provide you with assistance, both with services that they offer and with services offered by HP.

© Copyright 2004 Hewlett-Packard Company, LP.  
The information contained herein is subject to change without notice.



# HP ProCurve 6.5 dBi

indoor / outdoor directional diversity  
antenna J8445A



**Important Notice:** Please read all instructions carefully before attempting to install and use this product.

Before connecting your external antenna to an HP Wireless Access Point, please read the instructions for using an external antenna with the access point. These instructions explain how to set the access point's power levels to meet regulatory requirements in your area. For the latest instructions, see the 'Product manuals' page for your access point under 'Technical support' at <http://www.hp.com/go/hpprocurve>

### Safety

The J8445A and all associated equipment should be installed in accordance with all applicable local and national electrical code guidelines to ensure safe operation.

### Application

The J8445A is a vertically polarized spatial-diversity patch array designed to provide sector coverage in the 2.4-2.5 GHz frequency allocations. It may be flush-mounted or the J8445A fully articulated using a universal mount that attaches to a wall or pole for precise steering in the azimuth and elevations planes. The antenna may be installed in interior or exterior environments.

### Location

For best system performance, position the J8445A above major obstructions. When using the optional articulating mount, steer array toward the desired sector.

Part Number : 5990-6066

## MOUNTING

The J8445A is supplied with (4) machine screws and (4) wall anchors and can be mounted to any flat surface see Figure 3.

## ARTICULATING MOUNT

The J8445A is supplied with a universal articulating mount that accepts mast diameters up to 2 inches (5.1cm) or mounts to any flat surface.

## INSTALLATION

Install the articulating mount to the antenna back plane, as shown in Figure-1:

1. Find two *aluminum mounting straps* (3) and the *molded antenna mount* (36). Using four 8-32 x 5/8" flat-head machine screws (20), attach each strap to the mount as shown. Secure in place with four #8 lock nuts (87).

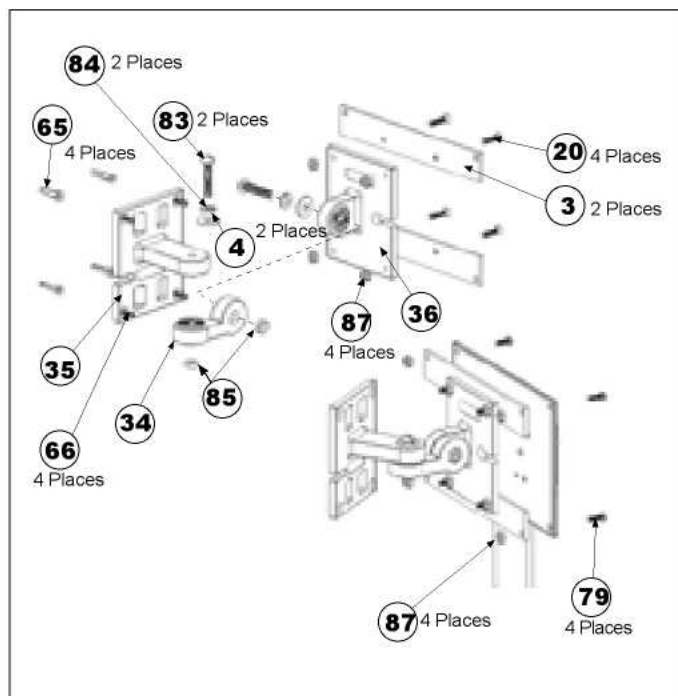
2. Find a 1/4" x 1-1/4" machine screw (83). Install a 1/4" lock washer (84) and a 1/4" flat washer (04). Find the *molded articulating arm* (34), and attach it to the *molded antenna mount* using the 1/4" hardware. Secure in place with a 1/4"-20 nut (85).

3. Locate the J8445A antenna and four 8-32 x 1/2" round-head screws (79). Install the antenna onto the mount assembly, securing it to the mounting straps with four 8-32 lock nuts (87).

4. For wall-mount installations, position the drill template and mark hole locations. Drill four 3/16"-diameter pilot holes and install wall anchors (65). Locate and install the *molded wall-mast mount* (35) using four 8-18 x 3/4" self-tapping screws (66).

5. For Pole-mount installations, find two worm clamps (13) and install bands as shown on the *molded wall-mast mount* (35). Encircle pole with each band and tighten in place.

Figure 1. Wall Mounting

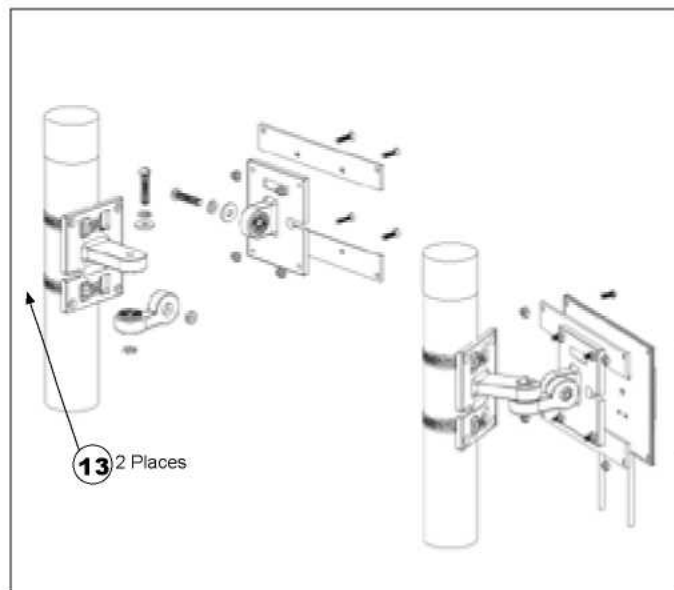


## INSTALLATION (cont.)

6. Find a 1/4" x 1-1/4" machine screw (83). Install a 1/4" lock washer (84) and a 1/4" flat washer (4). On the antenna assembly, find the free end of the *molded articulating arm* and attach it to the *molded mast-wall mount* using the 1/4" hardware. Secure in place with a 1/4"-20 nut (85).

7. Loosen 1/4" screws as needed to position antenna for desired azimuth and elevation steering. Tighten hardware.

Figure 2. Mast mounting



KEY	DISPLAY	DESC	SIZE	QTY
4		FLAT WASHER	1/4"	2
3		ALUMINUM MOUNT STRAP	—	2
13		HOSE CLAMP	—	2
20		SS MACHINE SCREW	#8-32 x 5/8"	4
34		ARTICULATING ARM	—	2
35		WALL / MAST MOUNT	—	1
36		ANTENNA MOUNT	—	3
65		PLASTIC WALL ANCHOR	#8	4
66		SS MACHINE SCREW	#8-18 x 3/4"	4
79		SS RH MACHINE SCREW	#8-32 x 1/2"	4
83		MACHINE SCREW	1/4"-20 x 1-1/4"	2
84		SS SPLIT LOCK WASHER	1/4"	2
85		SS HEX NUT	1/4"-20	2
87		SS NYLON HEX NUT	#8-32	8