

SAFETY

The antenna has been designed to mount to a mast at least 1-3/4 inches (4.4 cm) but not larger than 2-1/8 inches (5.4 cm) in diameter. To prevent personal injury or equipment damage, the antenna must be securely mounted per instructions.

LOCATION

The location of the antenna is important. Objects such as buildings, trees, power lines, towers, guy wires, antennas and metallic objects, etc. will reduce efficiency. Best performance is achieved when transmit and receive antennas are mounted at the same height and in a direct line of sight with no obstructions. If this is not possible and reception is poor, it's a good idea to try a few different mounting positions to optimize reception.

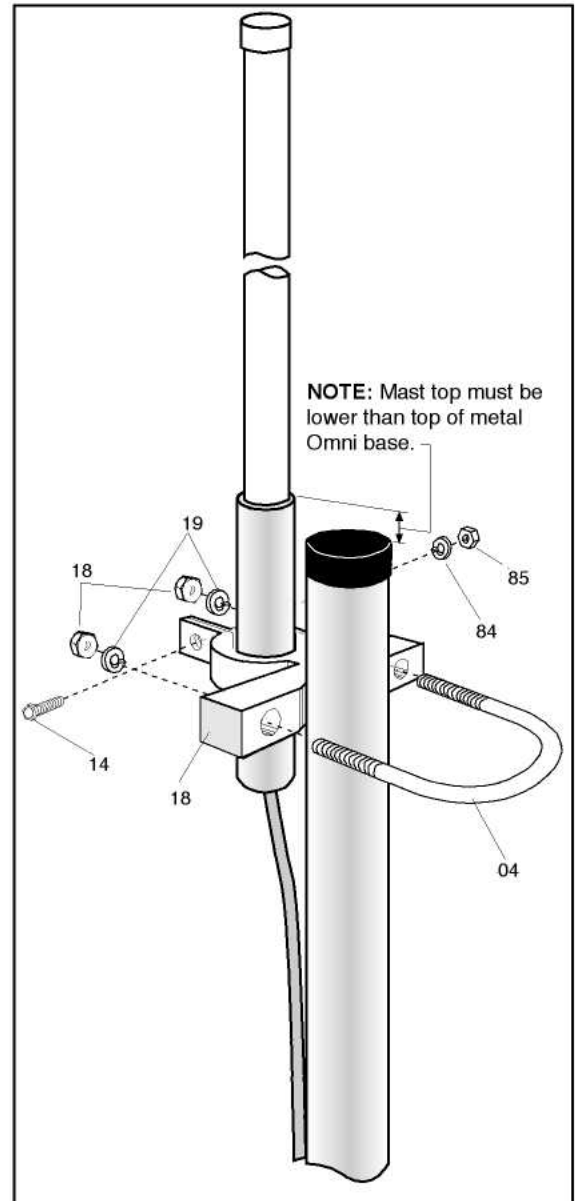
MOUNTING

This antenna is suitable for use indoors or outside. To install, mount antenna clamp (18) to mast using u-bolt (04), lock washer (19), and nut (18). Slide antenna into clamp as shown and lock in position using hex head bolt (85). Secure cable to mast using tape or cable tie.



HP ProCurve 8 dBi outdoor omnidirectional antenna

J8444A



MODEL	J8444A
Frequency, MHz	2400-2500
Gain, dBi (with specified cable)	7.4
Wind Surface Area, ft ² (m ²)	.12 (.011)
Wind Survivability, mph (kph)	80 (128)
Weight, lb (kg)	0.8 (0.36)
Height, in (cm)	25 (63.5)
Nominal Impedance, Ohms	50
VSWR	1.5:1
Power Handling, Watts	50
Radiating Element	Plated Copper Laminate
Enclosure	Polycarbonate
RF Connector	Reverse Polarity SMA (male)
Coaxial Cable	33" Ultralink (CL2)

Important Notice: Please read all instructions carefully before attempting to install and use this product.

Before connecting your external antenna to an HP Wireless Access Point, please read the instructions for using an external antenna with the access point. These instructions explain how to set the access point's power levels to meet regulatory requirements in your area. For the latest instructions, see the 'Product manuals' page for your access point under 'Technical support' at <http://www.hp.com/go/hpprocurve>



Part Number : 5990-6065