

SPECIFICATIONS

Model J8443A

Frequency, MHz	2400-2500
Gain, dBi (with specified cable)	6.7
Polarization	Linear (vertical)
Front to back ratio (dB)	12
Dimension in. / cm	4.6 x 3.8 x 1.2 (11.7 x 9.7 x 3.0)
E-Plane (3 dB beamwidth)	50 degrees
H-Plane (3 dB beamwidth)	65 degrees
Weight, lb. / kg (w/33" cable)	0.5 (0.23)
Nominal Impedance, Ohms	50
VSWR max	1.7:1
Enclosure	UV Stable PVC
RF Connector	Reverse Polarity SMA (male)
Pigtail	33" RG - 303 type

Important Notice: Please read all instructions carefully before attempting to install and use this product.

Before connecting your external antenna to an HP Wireless Access Point, please read the instructions for using an external antenna with the access point. These instructions explain how to set the access point's power levels to meet regulatory requirements in your area. For the latest instructions, see the 'Product manuals' page for your access point under 'Technical support' at <http://www.hp.com/go/hpprocurve>

HP ProCurve 7 dBi

indoor / outdoor directional antenna

J8443A



APPLICATIONS

The J8443A is a high-performance omnidirectional vertically polarized antenna. It may be used indoors or outdoors. It may be flush mounted onto a vertical surface or can be mounted on a mast using the included articulated mount, which allows precise steering in both the azimuth and the elevation planes.

SAFETY

The J8443A and all associated equipment should be installed in accordance with applicable local and national electrical code guidelines to ensure safe operation.

HP WARRANTY INFORMATION

See the Customer Support/Warranty booklet included with this product. A copy of the specific warranty terms applicable to your Hewlett-Packard products and replacement parts can be obtained from your HP Sales and Service Office or authorized dealer.

SUPPORT

Hewlett-Packard offers support 24 hours a day, seven days a week through the use of a number of automated electronic services. See the Customer Support/Warranty booklet that came with your product for information on how to use these services to get technical support. The HP ProCurve web site, <http://www.hp.com/go/hpprocurve> also provides up-to-date support information under "Technical support".

Additionally, your HP-authorized network reseller can provide you with assistance, both with services that they offer and with services offered by HP.

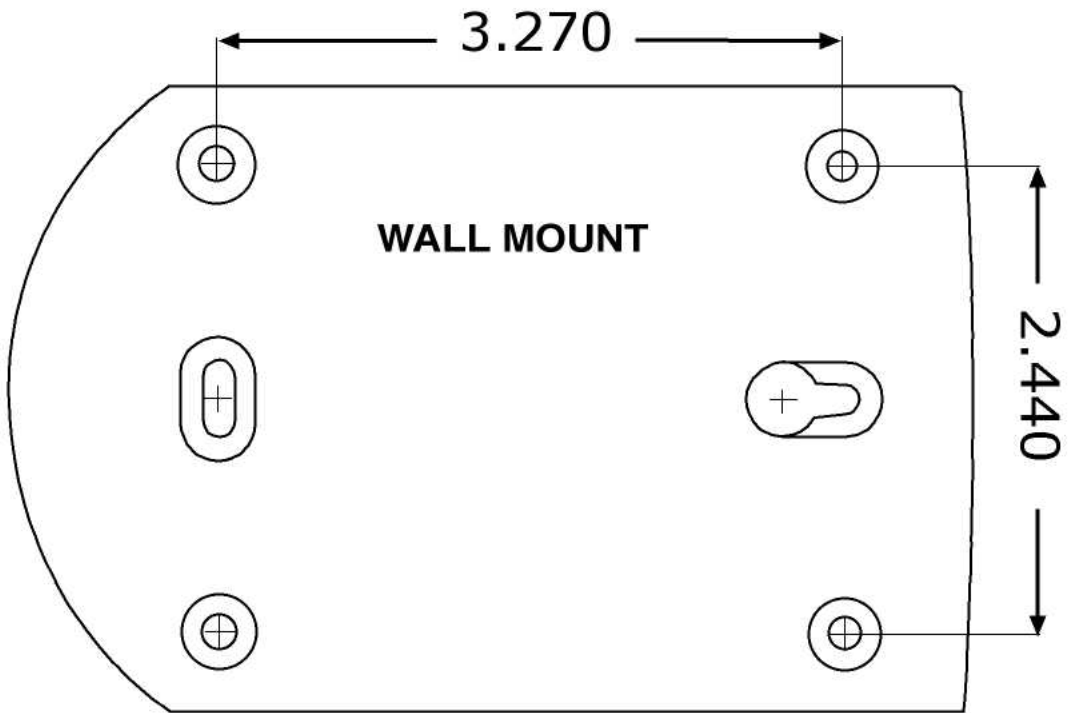
© Copyright 2004 Hewlett-Packard Company, LP.
The information contained herein is subject to change without notice.

Part Number : 5990-6064



i n v e n t

Wall Anchor Hole Template

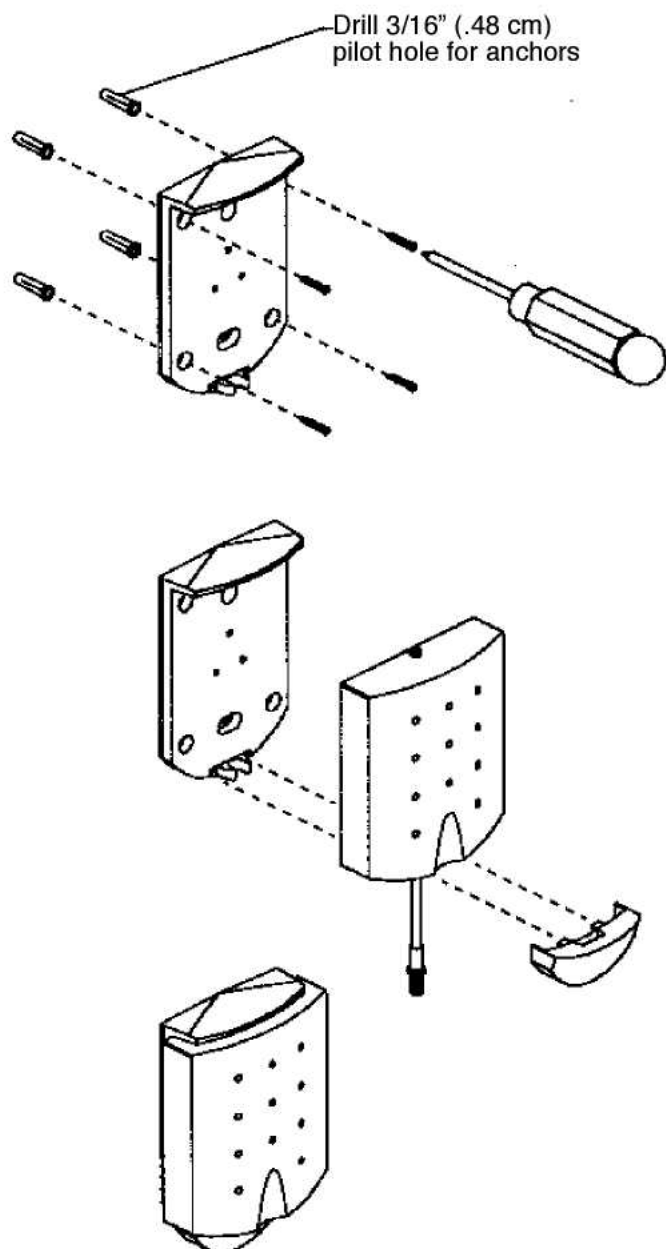


**DRILL DESIRED HOLES 3/16"
(4.75 MM)**



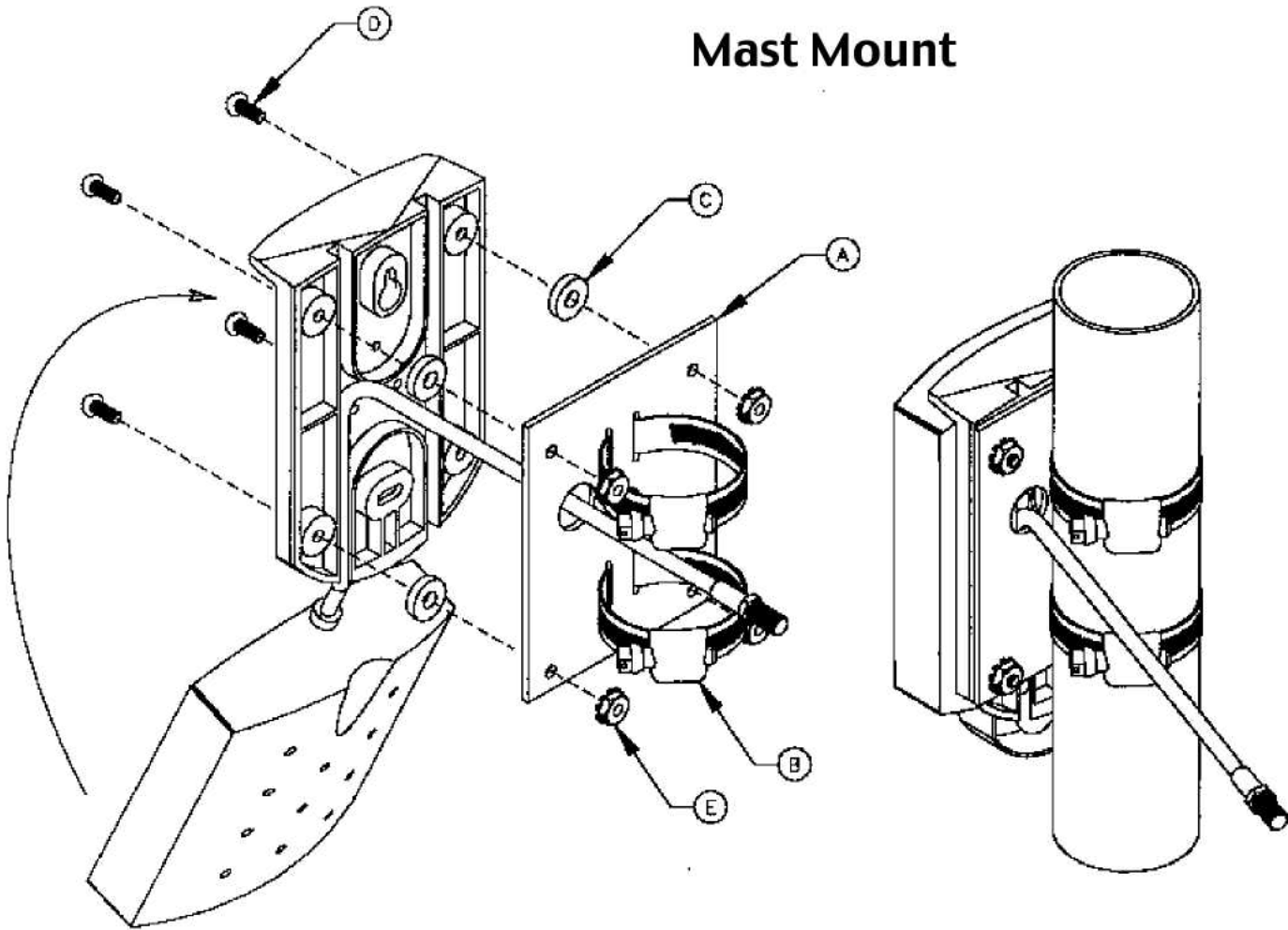
HP ProCurve 7 dBi outdoor directional antenna

STANDARD WALL MOUNT



HP ProCurve7 dBi outdoor directional antenna

Mast Mount



Mast Mount Parts List

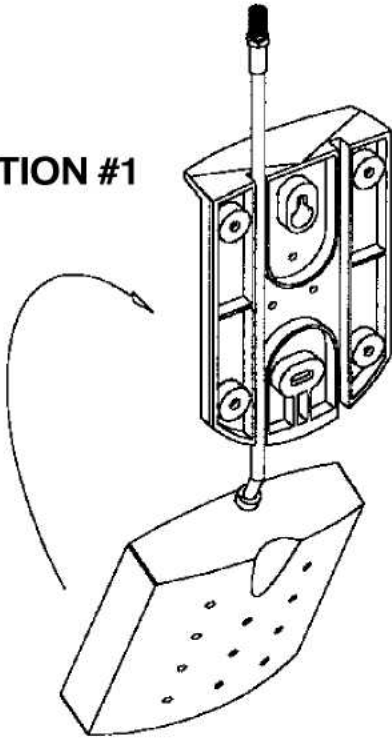
	DESCRIPTION	QTY
A	Mounting plate	1
B	Worm gear clamp	2
C	Stand Off Spacers	4
D	8-32 x 1/2" (1.3 cm) machine screw	4
E	8-32 Keps nuts	4

HP ProCurve 7 dBi

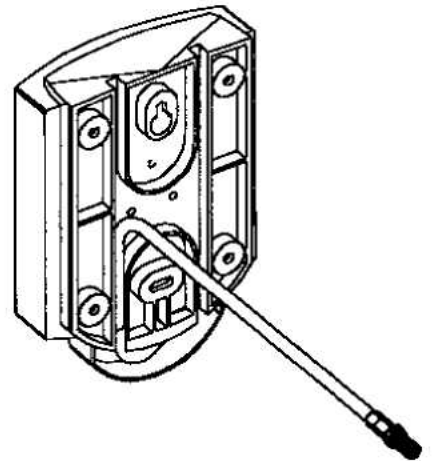
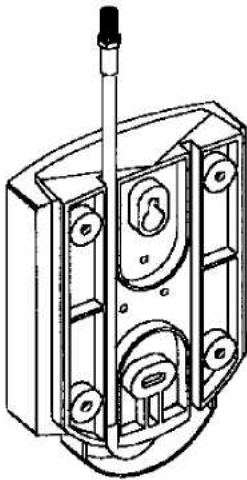
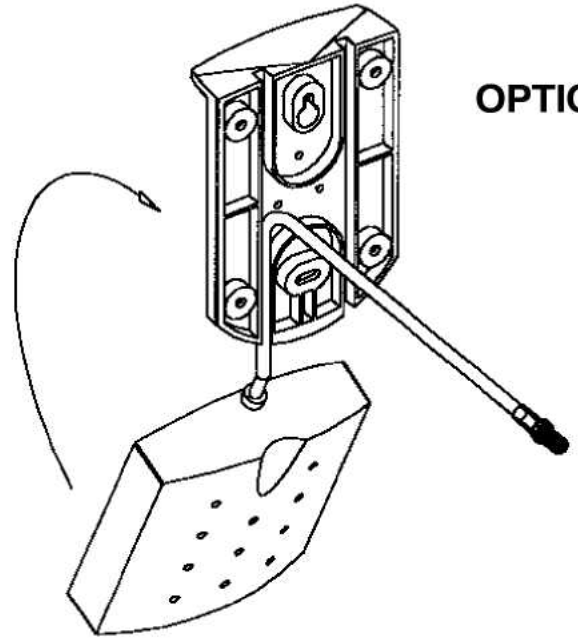
outdoor directional antenna

Cable Routing

OPTION #1



OPTION #2



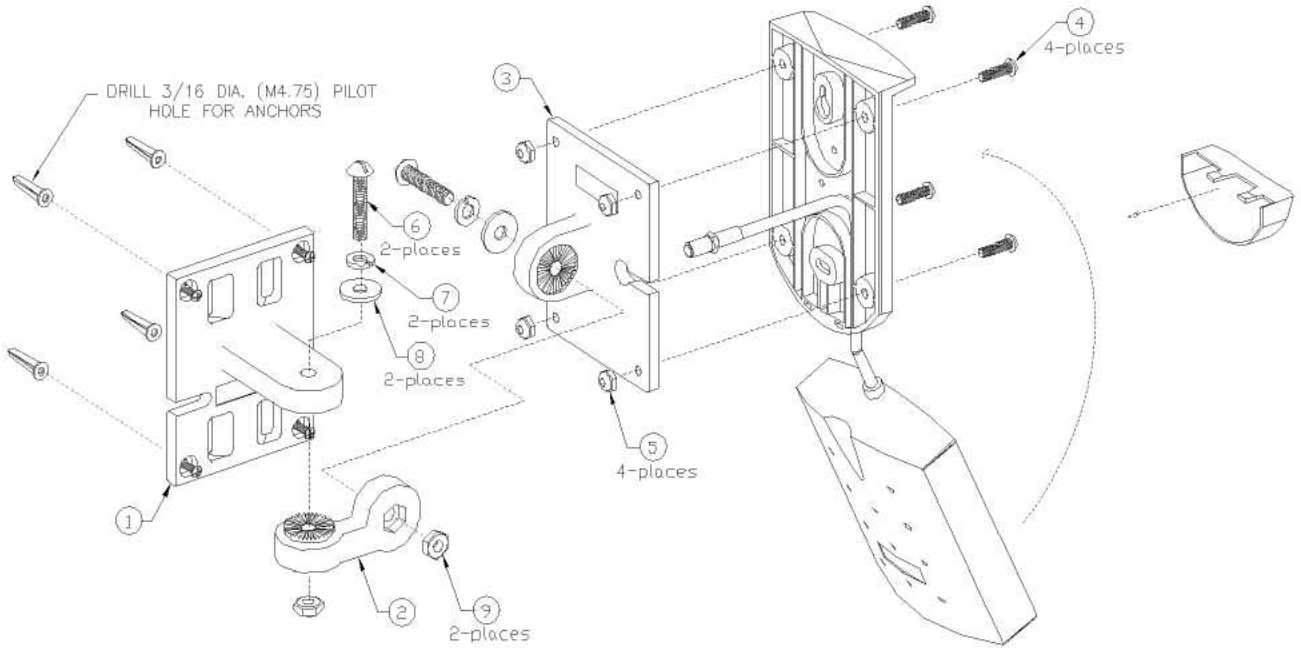
invent

Articulating Mount

PARTS LIST

9	2	1/4-20 SS HEX NUT
8	2	1/4 SS FLAT WASHER
7	2	1/4 SS SPLIT LOCK WASHER
6	2	1/4-20 X 1-1/4 MACHINE SCREW
5	4	#8-32 SS/NYLON HEX NUT
4	4	#8-32 X 5/8 MACHINE SCREW
3	1	MOLDED ANTENNA MOUNT
2	1	MOLDED ARTICULATING ARM
1	1	MOLDED WALL/MAST MOUNT
MARK	QTY.	DESCRIPTION

All other components are supplied with the antenna and are shown for reference only.



DRILL TEMPLATE

