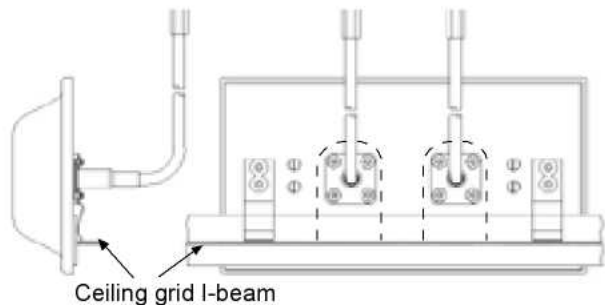
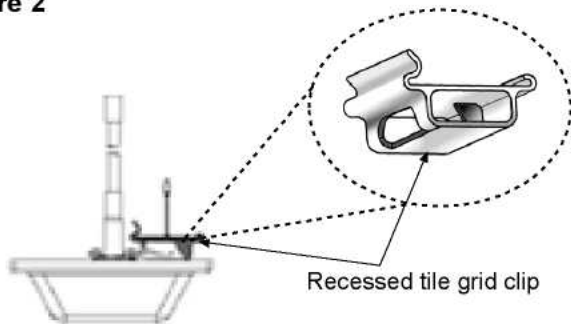


Figure 1**Figure 2**

Model	J8442A
Frequency MHz:	2400 - 2500
Gain dBi:	1.4 (with specified cable)
VSWR:	1.7:1
E-Plane (3 dB beamwidth):	80°
H-Plane (3 dB beamwidth):	Omnidirectional
RF Connector:	Reverse Polarity SMA (male)
Polarization:	Linear (Vertical) (2x)
Coaxial Cable:	33" Plenum (cmp)
Enclosure:	UV Stable ASA
Power (Watts):	10
Mounting:	Ceiling Grid / Suspended tile
Dimensions in.(cm):	2.9" x 5.4" x 0.9" (7.4 x 13.7 x 2.3)
Weight lbs.(kg):	.4 (0.18)

HP WARRANTY INFORMATION

See the Customer Support/Warranty booklet included with this product. A copy of the specific warranty terms applicable to your Hewlett-Packard products and replacement parts can be obtained from your HP Sales and Service Office or authorized dealer.

SUPPORT

Hewlett-Packard offers support 24 hours a day, seven days a week through the use of a number of automated electronic services. See the Customer Support/Warranty booklet that came with your product for information on how to use these services to get technical support. The HP ProCurve web site, <http://www.hp.com/go/hpprocurve> also provides up-to-date support information under "Technical support".

Additionally, your HP-authorized network reseller can provide you with assistance, both with services that they offer and with services offered by HP.

© Copyright 2004 Hewlett-Packard Company, LP.
The information contained herein is subject to change without notice.

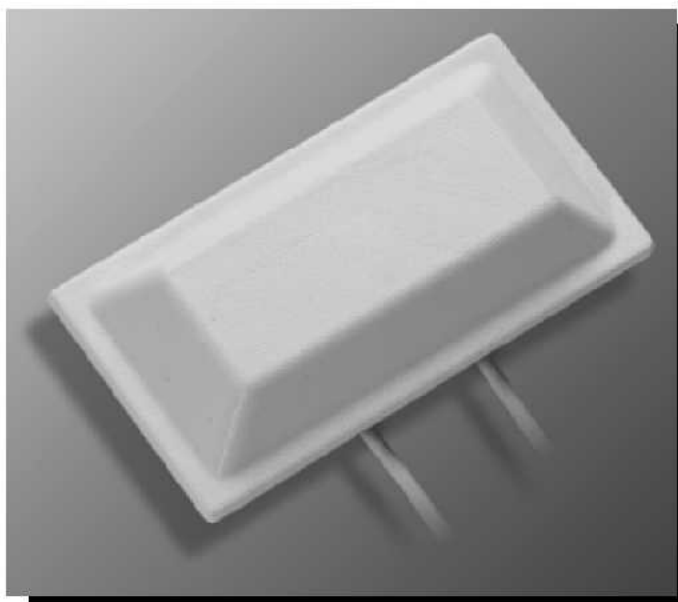


i n v e n t

HP ProCurve 2 dBi

indoor omnidirectional diversity antenna

J8442A

**SAFETY**

The J8442A and all associated equipment should be installed in accordance with all applicable local and national electrical code guidelines to ensure safe operation.

APPLICATION

The J8442A is a ceiling-mounted folded-monopole array especially designed for use with spatial-diversity access point systems. Two independent vertically polarized radiators provide null-free omnidirectional coverage for meeting rooms, offices, departmental areas, or other enclosed spaces.

LOCATION

For best results, mount the J8442A at ceiling level near the center of the coverage area. A line-of-sight path between the antenna and active floor locations works best. Avoid mounting next to a column or vertical support that could create a shadow zone and reduce coverage to one portion of the room.

INSTALLATION

Suspended-ceiling mounting clips are provided on the rear panel of the antenna package. Make two small slots in the tile to pass the feedlines then install the antenna on the tile-support rail, as shown in Figure-1. For installations using recessed-edge tiles, use the supplied plastic recessed tile adapter clips.

Part Number : 5990-6063

Important Notice: Please read all instructions carefully before attempting to install and use this product.

Before connecting your external antenna to an HP Wireless Access Point, please read the instructions for using an external antenna with the access point. These instructions explain how to set the access point's power levels to meet regulatory requirements in your area. For the latest instructions, see the 'Product manuals' page for your access point under 'Technical support' at <http://www.hp.com/go/hpprocurve>

