

installation and
getting started guide



hp procurve
wireless access point 420

www.hp.com/go/hpprocurve

HP ProCurve
Wireless Access Point 420

Installation and Getting Started Guide

© Copyright 2005 Hewlett-Packard Development Company, L.P. The information contained herein is subject to change without notice.

This document contains proprietary information, which is protected by copyright. No part of this document may be photocopied, reproduced, or translated into another language without the prior written consent of Hewlett-Packard.

Publication Number

5990-6005
June 2005
Edition 4

Applicable Products

HP ProCurve Wireless Access Point 420 na	(J8130A)
HP ProCurve Wireless Access Point 420 ww	(J8131A)

Disclaimer

HEWLETT-PACKARD COMPANY MAKES NO WARRANTY OF ANY KIND WITH REGARD TO THIS MATERIAL, INCLUDING, BUT NOT LIMITED TO, THE IMPLIED WARRANTIES OF MERCHANTABILITY AND FITNESS FOR A PARTICULAR PURPOSE. Hewlett-Packard shall not be liable for errors contained herein or for incidental or consequential damages in connection with the furnishing, performance, or use of this material.

The only warranties for HP products and services are set forth in the express warranty statements accompanying such products and services. Nothing herein should be construed as constituting an additional warranty. HP shall not be liable for technical or editorial errors or omissions contained herein.

Hewlett-Packard assumes no responsibility for the use or reliability of its software on equipment that is not furnished by Hewlett-Packard.

Warranty

See the Customer Support/Warranty booklet included with the product.

A copy of the specific warranty terms applicable to your Hewlett-Packard products and replacement parts can be obtained from your HP Sales and Service Office or authorized dealer.

Safety

Before installing and operating these products, please read the “Installation Precautions” in chapter 2, “Installing the Access Point 420”, and the safety statements in appendix C, “Safety and Regulatory Statements”.

Contents

1 Introducing the HP ProCurve Wireless Access Point 420

Top of the Access Point	1-3
LEDs	1-4
Back of the Access Point	1-5
Antennas	1-5
Console Port	1-6
Network Port	1-6
Power Connector	1-6
Reset Button	1-7
Access Point Features	1-8

2 Installing the Access Point 420

Included Parts	2-1
Installation Procedures	2-2
Summary	2-2
Installation Precautions:	2-3
1. Prepare the Installation Site	2-4
2. Verify the Access Point Passes the Self Test	2-5
LED Behavior:	2-6
3. Mount the Access Point	2-7
Wall Mounting	2-7
Horizontal Surface Mounting	2-9
4. Connect the Access Point to a Power Source	2-9
5. Connect the Network Cable	2-10
Using the RJ-45 Connectors	2-10
6. Position the Antennas on the Access Point	2-10
7. (Optional) Connect a Console to the Access Point 420	2-11
Terminal Configuration	2-11
Direct Console Access	2-12
Sample Network Topologies	2-14
Ad Hoc Wireless LAN (no access point)	2-14

Infrastructure Wireless LAN	2-15
Infrastructure Wireless LAN for Roaming Wireless PCs	2-16
3 Getting Started With Access Point Configuration	
Recommended Minimal Configuration	3-1
Using the Command Line Interface	3-2
To Set the Manager User Name and Password	3-2
To Set the Access Point's IP Address	3-3
To Set the Access Point's Country Code	3-4
To Configure Radio Settings	3-5
Where to Go From Here	3-8
Using the IP Address for Remote Access Point Management	3-9
Starting a Telnet Session	3-9
Starting an SSH Session	3-10
Starting a Web Browser Session	3-10
4 Using an External Antenna with the Access Point 420	
External Antenna Options	4-2
Installation Procedures	4-3
1. Plan the Installation	4-3
2. Mount the Antenna	4-4
3. Connect Pigtail Cables to the Access Point	4-4
4. Configure the Antenna Mode and Transmit Power Control Limits	4-6
Setting the Antenna Mode Using the CLI	4-8
Setting the Antenna Mode Using the Web Interface	4-9
Setting Transmit Power Limits Using the CLI	4-9
Setting Transmit Power Limits Using the Web Inteface	4-10
5 Troubleshooting	
Basic Troubleshooting Tips	5-1
Diagnosing with the LEDs	5-3
Proactive Networking	5-5
Hardware Diagnostic Tests	5-6
Testing the Access Point by Resetting It	5-6
Checking the Access Point's LEDs	5-6
Checking Event Messages	5-6

Testing Twisted-Pair Cabling	5-7
Testing Access Point-to-Device Network Communications	5-7
Testing End-to-End Network Communications	5-7
Restoring the Factory Default Configuration	5-8
Downloading New Access Point Software	5-10
HP Customer Support Services	5-10
Before Calling Support	5-10

A Specifications

Physical	A-1
Electrical	A-1
Environmental	A-1
Connectors	A-2
Safety	A-2
EMC Compliance (Class B)	A-2
Radio Signal Certification	A-2
Immunity	A-2
Wireless	A-3
Receiver Sensitivity	A-3

B Access Point Port and Network Cables

Access Point Ports	B-1
Twisted-Pair Cables	B-1
Twisted-Pair Cable/Connector Pin-Outs	B-2
Straight-Through Twisted-Pair Cable for 10 Mbps or 100 Mbps Network Connections	B-3
Cable Diagram	B-3
Pin Assignments	B-3
Crossover Twisted-Pair Cable for 10 Mbps or 100 Mbps Network Connection	B-4
Cable Diagram	B-4
Pin Assignments	B-4

C Safety and EMC Regulatory Statements

Safety Information C-1

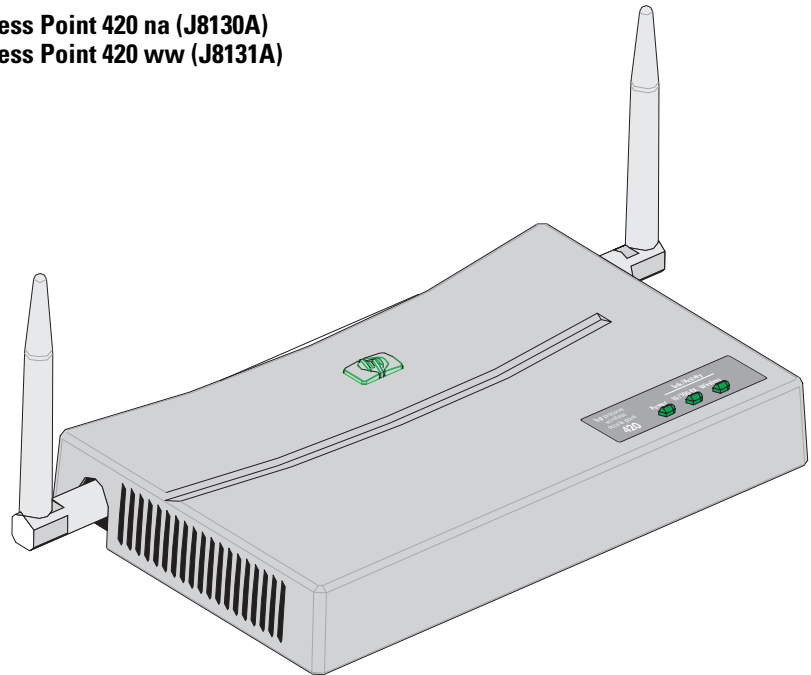
EMC Regulatory Statements C-9

Index

Introducing the HP ProCurve Wireless Access Point 420

The HP ProCurve Wireless Access Point 420 is a wireless repeater that seamlessly integrates with existing wired networks to support connectivity for mobile users or wireless workstations. This solution offers fast, reliable wireless connectivity with considerable cost savings over wired LANs. Just install enough wireless access points to cover your network area, plug wireless cards into your notebooks or install wireless adapters into your desktops, and start networking.

HP ProCurve Wireless Access Point 420 na (J8130A)
HP ProCurve Wireless Access Point 420 ww (J8131A)



Throughout this manual, this access point will be abbreviated as the Access Point 420.

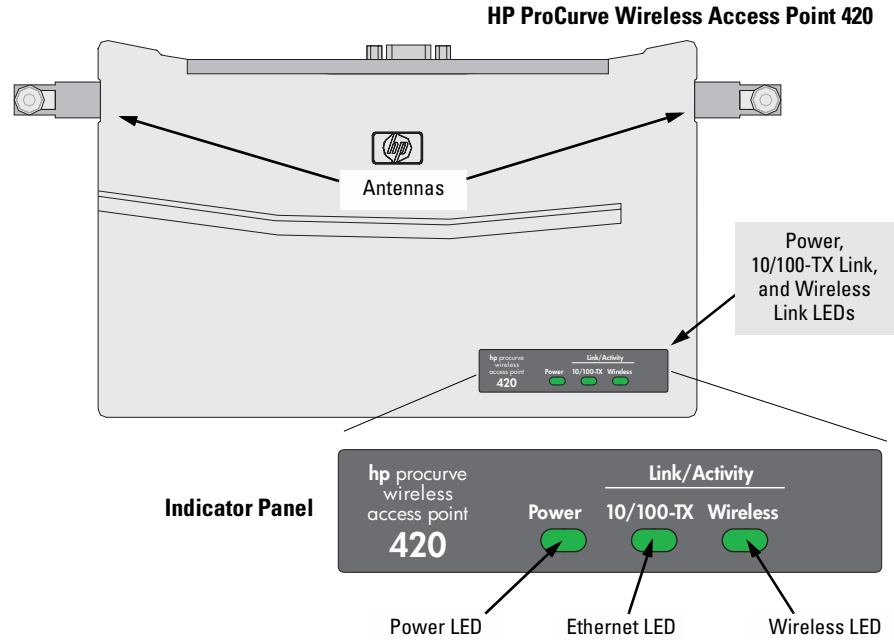
The Access Point 420 has one 10/100Base-TX RJ-45 port. This port also supports Power over Ethernet (PoE) based on the IEEE 802.3af standard. The access point supports wireless connectivity at speeds up to 54 Mbps based on the IEEE 802.11g standard.

This access point is designed to be used primarily for connecting wireless clients to an enterprise network. This access point allows wireless clients to connect directly to each other, or to connect to other computers or network resources located on the wired network.

This chapter describes your HP Access Point 420 including:

- Top and back of the access point
- Access point features

Top of the Access Point

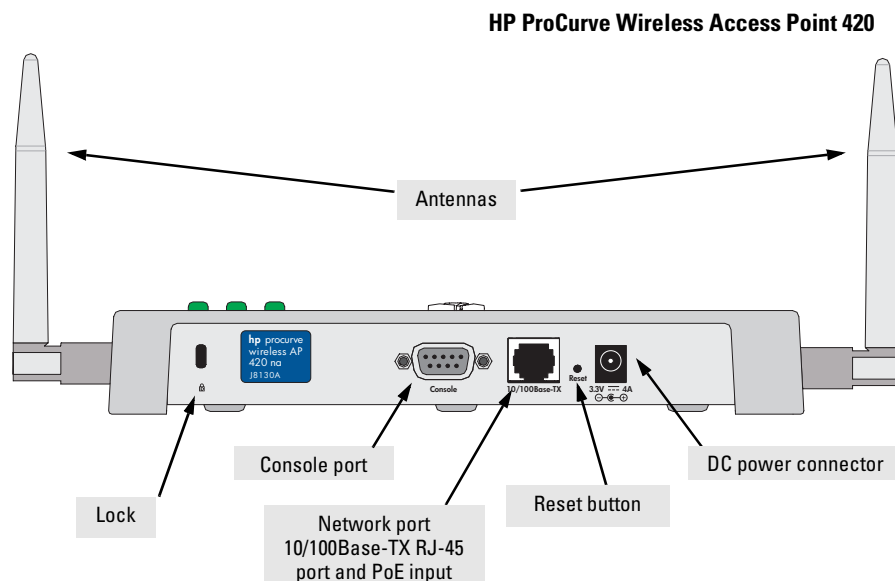


LEDs

Table 1-1. Access Point LEDs

Access Point LEDs	State	Meaning
Power (green)	On	The access point is receiving power.
	Off	The access point is NOT receiving power.
	Blinking*	The access point is undergoing self test or downloading software. The self test and initialization are in progress after you have power cycled or reset the access point. The access point is not operational until this LED stops blinking.
	Blinking* (prolonged)	A component of the access point has failed its self test.
10/100-TX	On (green)	The RJ-45 port is enabled and receiving a link indication from a 100 Mbps device.
	On (amber)	The RJ-45 port is enabled and receiving a link indication from a 10 Mbps device.
	Off	The RJ-45 port has no active network cable connected, or is not receiving a signal. Otherwise, the port may have been disabled through the access point console, or the web browser interface.
	Blinking*	The RJ-45 port is transmitting or receiving traffic.
Wireless	On	The wireless interface is enabled and receiving a link indication from a wireless client
	Off	The wireless interface is not receiving a signal. Otherwise, the wireless interface may have been disabled through the access point console, or the web browser interface.
	Blinking*	The wireless interface is transmitting or receiving traffic.
<p>* The blinking behavior is an on/off cycle once every 1.6 seconds, approximately.</p>		


Back of the Access Point



Antennas

The access point includes diversity antennas for wireless communications. These antennas are detachable and can be replaced by various external antenna options. For further information, see chapter 4, “Using an External Antenna with the Access Point 420”.

Lock

The access point includes a Kensington security slot on the rear panel, marked with the lock symbol (). You can prevent unauthorized removal of the access point by wrapping the Kensington security cable (not provided) around an unmovable object, inserting the lock into the slot, and turning the key.

Console Port

This port connects a console to the access point using a serial cable. This connection is described under “Connect a Console to the Access Point” in chapter 2, “Installing the Access Point 420”. The console can be a PC or workstation running a VT-100 terminal emulator, or a VT-100 terminal.

Network Port

The access point includes one 10/100Base-TX port. This port uses MDI (i.e., internal straight-through) pin configuration. You can therefore use straight-through twisted-pair cable to connect this port to most network interconnection devices such as a switch or router that provide MDI-X ports. However, if you need to connect the access point to a workstation or other device that only has MDI ports, then use crossover twisted-pair cable.

Ports on most HP switches have the “HP Auto MDIX” feature, which means that you can use either straight-through or crossover twisted-pair cables to connect the access point to these switches.

Refer to the following section for information on supplying power to the access point through its RJ-45 port from a network device, such as a switch, that provides Power over Ethernet (PoE).

Power Connector

The Access Point 420 does not have a power switch; it is powered on when connected to the AC power adapter, and the power adapter is connected to an active AC power source. The access point's power adapter automatically adjusts to any voltage between 100–240 volts and either 50 or 60 Hz. There are no voltage range settings required.

Caution

Use only the AC power adapter supplied with the access point. Use of other adapters, including adapters that came with other HP network products, may result in damage to the equipment.

The access point may also receive Power over Ethernet (PoE) from a switch or other network device that supplies power over the network cable based on the IEEE 802.3af standard.

Note that if the access point is connected to a PoE source device and also connected to a local power source through the AC power adapter, PoE will be disabled.

Reset Button

This button is used to reset the hardware or restore the factory defaults:

- **To Reset the Access Point While it is Powered On** – This action clears any temporary error conditions that may have occurred and executes the access point self test.
- **To Restore Factory Default Configuration** – When the Reset button is pressed for more than five seconds, any configuration changes you may have made through the access point console or the web browser interface are removed, and the factory default configuration is restored to the access point. For the specific method to restore the factory default configuration, see “Restoring the Factory Default Configuration” in chapter 5, “Troubleshooting” of this manual.

Note

The Reset button and console port can be disabled by the access point's software. For more information, see the *Management and Configuration Guide*, which is on the Documentation CD-ROM that came with your access point.

Access Point Features

The wireless features of the Access Point 420 include:

- supports up to eight Service Set Identifier (SSID) interfaces
- security and VLAN settings per SSID interface
- supports up to 128 wireless clients
- IEEE 802.11g Compliant – interoperable with multiple vendors
- precise control over signal transmission power and data rate
- advanced security through 64/128/152-bit WEP encryption, Wi-Fi Protected Access (WPA and WPA2), IEEE 802.1X, remote authentication via a RADIUS server, and MAC address filtering features to protect your sensitive data and authenticate only authorized users to your network
- remote logging of system messages
- time synchronization via SNTP server for message logs
- neighbor access point detection
- Spectralink Voice Priority support
- auto channel selection – simplifies deployment by testing all available channels and selecting the best channel based on signal-to-noise ratio
- international country configuration – select the appropriate country and the access point automatically configures radio operation to match regulatory requirements (model J8131A only)

The other basic features of the Access Point 420 include:

- one 10/100Base-TX RJ-45 port
- supports Power over Ethernet based on the IEEE 802.3af standard
- full-duplex operation for the 10/100 RJ-45 port
- easy management of the access point through several available interfaces:
 - **console interface**—a full featured, easy to use, VT-100 terminal interface that is especially good for out-of-band access point management and for Telnet or Secure Shell access to the access point
 - **web browser interface**—an easy to use built-in graphical interface that can be accessed from common web browsers (includes support for secure HTTP connections)
 - **SNMP**—a network management application such as HP ProCurve Manager can manage the access point via the Simple Network Management Protocol (SNMP) from a network management station (supports SNMP versions 1, 2c, and 3)

- support for up to 64 IEEE 802.1Q-compliant VLANs (as specified for each client in the RADIUS server) so that wireless clients can join the appropriate logical grouping for the network user's needs
- RADIUS Accounting for logging user activity on the network
- support for many advanced features to enhance network performance—for a description, see the *Management and Configuration Guide*, which is on the Documentation CD-ROM that is included with your access point.
- download of new access point software for product enhancements or software updates
- upload and download of access point configuration files in a binary or readable text format
- dual flash images – enables auto-recovery upon unsuccessful download

— *This page is intentionally unused.* —

Installing the Access Point 420

The HP Access Point 420 is easy to install. It comes with an accessory kit that includes a bracket for mounting the access point on a wall. The bracket is designed to allow mounting the access point in a variety of locations and orientations.

This chapter shows you how to install your Access Point 420.

Included Parts

The Access Point 420 has the following components shipped with it:

- *HP ProCurve Wireless Access Point 420 Installation and Getting Started Guide* (J8130A-90001), this manual
- *HP ProCurve Product Documentation CD-ROM*
(contains PDF file copies of the documentation for the Access Point 420, including the *Management and Configuration Guide*)
- Customer Support/Warranty booklet
- Accessory kit (5069-5700)
 - four 5/8-inch number 12 wood screws to attach the access point to a wall
 - four plastic wall plugs for mounting on a brick or concrete wall
 - four rubber feet
- Antenna (5092-0723)
- Mounting bracket (5092-0711)
- AC power adapter (5092-0728)
- AC power cord, one of the following:

United States/Canada/Mexico	8120-0740
Continental Europe	8121-0731
United Kingdom/Hong Kong/Singapore	8121-0739
Australia/New Zealand	8121-0730
Japan	8121-0736
China	8121-0742
Denmark	8121-0733
Switzerland	8121-0738

Installation Procedures

Summary

Follow these easy steps to install your access point. The rest of this chapter provides details on these steps.

1. **Prepare the installation site (page 2-4).** Make sure that the physical environment into which you will be installing the access point is properly prepared, including having the correct network cabling ready to connect to the access point and having an appropriate location for the access point. *Please see page 2-2 for some installation precautions.*
2. **Verify that the access point passes self test (page 2-5).** This is a simple process of plugging the access point into a power source, or connecting it to a switch that provides Power over Ethernet, and observing that the LEDs on the access point's top panel indicate correct access point operation.
3. **Mount the access point (page 2-7).** The Access Point 420 can be mounted on a wall, or on a horizontal surface.
4. **Connect power to the access point (page 2-9).** Once the access point is mounted, plug it into a nearby main power source, or connect it to a switch that provides Power over Ethernet.
5. **Connect to the network (page 2-10).** Using the appropriate network cable, connect the access point to a network connection point, such as a switch. The network connection can also be used to provide power to the access point through its PoE feature.
6. **Position the antennas on the access point (page 2-10).** Position each antenna along a different axis to enhance signal coverage.
7. **Connect a console to the access point (optional—page 2-11).** You may wish to modify the access point's configuration, for example, to configure an IP address so it can be managed using a web browser or through a Telnet session. Configuration changes can be made easily by using a console cable to connect a PC to the access point's console port.

At this point, your access point is fully installed. See the rest of this chapter if you need more detailed information on any of these installation steps.

Installation Precautions:

Follow these precautions when installing your HP Access Point 420:

Cautions

- Make sure that the power source circuits are properly grounded, then use the power adapter supplied with the access point to connect it to the power source.
- You can alternatively power the access point through a network connection to a switch or other network connection device that provides Power over Ethernet. However, note that if the access point is connected to a power source using its AC power adapter, Power over Ethernet is disabled.
- Use only the AC power adapter supplied with the access point. Use of other adapters, including adapters that came with other HP network products, may result in damage to the equipment.
- When using the access point's AC power adapter, note that the AC outlet should be near the access point and should be easily accessible in case the access point must be powered off.
- Ensure that the access point does not overload the power circuits, wiring, and over-current protection. To determine the possibility of overloading the supply circuits, add together the ampere ratings of all devices installed on the same circuit as the access point and compare the total with the rating limit for the circuit. The maximum ampere ratings are usually printed on devices near the AC power connectors.
- Do not install the access point in an environment where the operating ambient temperature might exceed 40°C (104°F).
- Make sure the air flow around the sides of the access point is not restricted.

1. Prepare the Installation Site

- **Cabling Infrastructure** - Ensure that the cabling infrastructure meets the necessary network specifications. See the following table for cable types and lengths, and see appendix B, “Access Point Port and Network Cables” for more information.

Table 2-1. Summary of Cable Types to Use With the Access Point

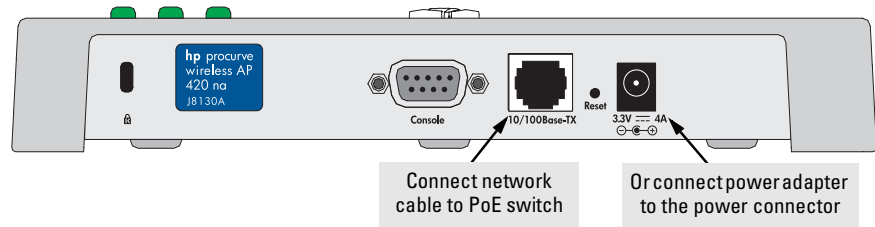
Port Type	Cable Type	Length Limits
Twisted-Pair Cables		
10/100Base-TX	<ul style="list-style-type: none">• 10 Mbps operation: Category 3, 4, or 5, 100-ohm unshielded twisted-pair (UTP)• 100 Mbps operation: Category 5, 100-ohm UTP or shielded twisted-pair (STP) cable.	100 meters Note: Since the 10Base-T operation is through the 10/100Base-TX port on the access point, if you ever want to upgrade the ports on other devices to 100Base-TX, it would be best to cable the 10/100Base-TX port on the access point initially with category 5 cable. The 10/100-Base-TX port on the Access Point 420 uses an MDI pin configuration, which requires you to use straight-through cable when connecting to another device that has an MDI-X port, or crossover cable when connecting to a device that has an MDI port. However, if the device to which you are connecting supports auto-MDIX, then you can use either a straight-through or crossover cable.

- **Installation Location** - Before installing the access point, plan its location and orientation relative to other devices and equipment:
 - Try to place the access point in the center of your wireless network. Normally, the higher you place the antenna, the better the performance. You may need to reposition the access point after testing the signal strength on several wireless clients to ensure that the access point’s location provides optimal reception throughout your office.
 - At the back of the access point, leave at least 7.6 cm (3 inches) of space for the twisted-pair cabling and the power cord.
 - On the sides of the access point, leave at least 7.6 cm (3 inches) for cooling.

2. Verify the Access Point Passes the Self Test

Before mounting the access point in its network location, you should first verify that it is working properly by plugging it into a power source, or connecting it to a switch that provides Power over Ethernet, and verifying that it passes its self test.

1. Connect a network cable from a PoE source device (such as a switch) to the RJ-45 port on the back of the access point, or connect the supplied power adapter to the power connector on the back of the access point, and then into a properly grounded electrical outlet.

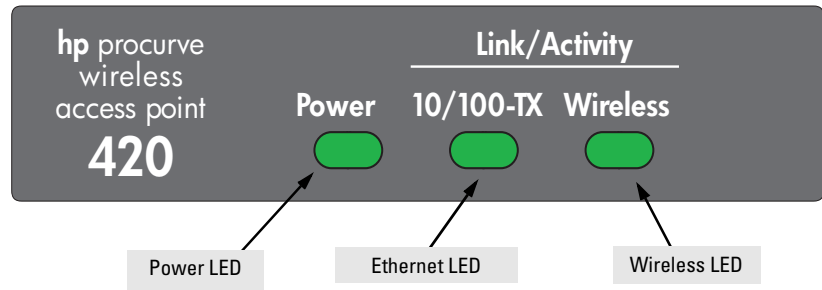


Note

The Access Point 420 does not have a power switch. It is powered on when the power adapter is connected to the access point and to a power source, or when a network cable is connected to the access point and to a network device that provides Power over Ethernet. For safety, when connecting to an electrical outlet, the power outlet should be located near the access point.

Use only the AC power adapter supplied with the access point. Use of other adapters, including adapters that came with other HP network products, may result in damage to the equipment.

2. Check the LEDs on the access point as described below.



When the access point is powered on, it performs its diagnostic self test. The self test takes approximately 50 seconds to complete.

LED Behavior:

During the self test:

- The 10/100Base-TX and Wireless LEDs go off and then may come on again during phases of the self test. For the duration of the self test, the Power LED blinks.

When the self test completes successfully:

- The **Power** LED remains on.
- The **10/100Base-TX** and **Wireless** LEDs on the top of the access point go into their normal operational mode:
 - If the ports are connected to active network devices, the LEDs should be on.
 - If the ports are not connected to active network devices, the LEDs stay off.

If the LED display is different than what is described above, especially if the **Power** LED does not stop blinking, the self test has not completed correctly. Refer to chapter 5, “Troubleshooting” for diagnostic help.

3. Mount the Access Point

After you have verified that the access point passes the self test, you are ready to mount the access point in a stable location. The Access Point 420 can be mounted in these ways:

- on a wall
- on a horizontal surface

Wall Mounting

You can mount the access point on a wall as shown in the illustrations on the next page.

Caution

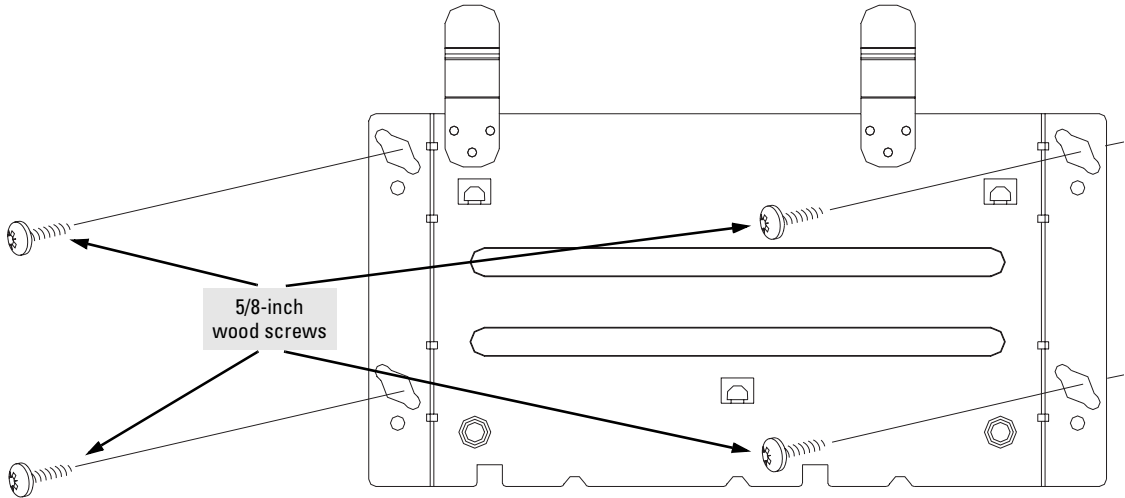
The access point should be mounted only to a wall or wood surface that is at least 1/2-inch plywood or its equivalent.

1. Position the mounting bracket on the wall, and mark the holes. The orientation shown in the following figure is the most secure position for mounting the access point. Do not mount the access point with the retaining latches pointing down.
2. To mount the access point on a plastered brick or concrete wall, first drill four holes 22 mm deep and 3.5 mm in diameter, and press the four included wall plugs firmly into the drilled holes until they are flush with the surface of the wall.
3. Set the four 5/8-inch number 12 wood screws in the holes, leaving about 3 mm (0.12 in.) clearance from the wall.
4. Position the mounting bracket over the wall screws, slide the bracket onto the screws, and then tighten down the screws.
5. There are two alignment slots along the lower edge of the mounting bracket as shown in the following figures. Match these slots up with the protrusions on the unit's plastic cover. This makes it easy to get the metal fingers on the bracket aligned with the three protruding slots in the bottom of the access point.
6. Slide the access point down onto the bracket so that the three metal fingers on the bracket enter the three protruding slots on the bottom of the access point. The two retaining latches will slip into place over the back edge of the access point.
7. To prevent unauthorized removal of the access point, you can use a Kensington Slim MicroSaver security cable (not included) to attach the access point to an immovable object.

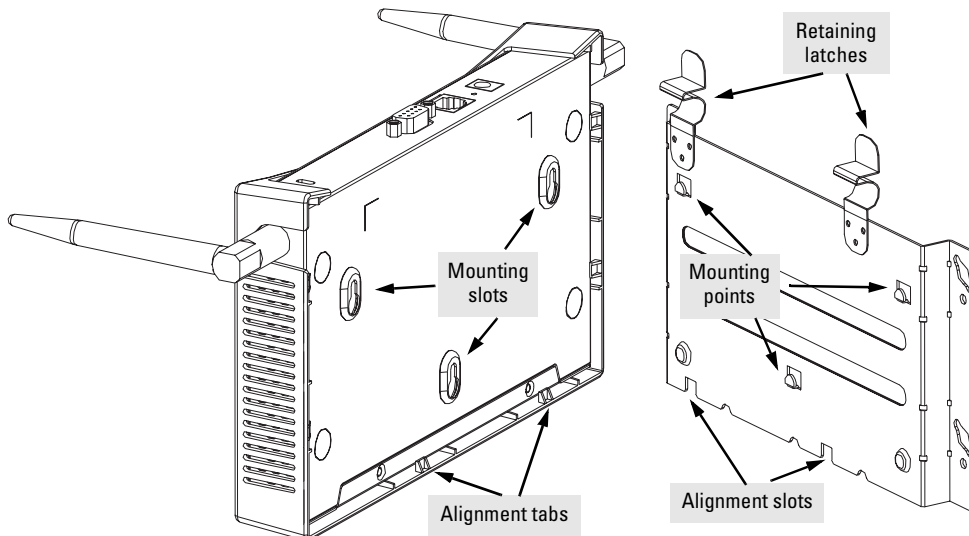
Note

If mounting the access point in an air conditioning or heating duct, leave the cover on to aid in mounting the unit on the bracket as described in the preceding steps. The unit's plastic cover should then be removed for safety reasons.

Mounting the Bracket on a Wall



Sliding the Access Point onto the Bracket



Horizontal Surface Mounting

Place the access point on a table or other horizontal surface. The access point accessory kit provides rubber feet that can be used to help keep the access point from sliding on the surface.

Attach the rubber feet to the four corners on the bottom of the access point within the embossed lines. Use a sturdy surface in an uncluttered area. You may want to secure the networking cable and access point's power cord to the table leg or other part of the surface structure to help prevent tripping over the cords.

Caution

Make sure the air flow is not restricted around the sides of the access point.

4. Connect the Access Point to a Power Source

1. Plug the included power adapter into the access point's power connector and into a nearby AC power source.

Or, alternatively, connect the Ethernet port on the access point to a switch or other network device that provides Power over Ethernet.

2. Re-check the LEDs during self test. See "LED Behavior" on page 2-6.

5. Connect the Network Cable

Connect the network cable, described under “Cabling Infrastructure” (page 2-4), from the network device or your patch panel to the RJ-45 port on the access point.

Using the RJ-45 Connectors

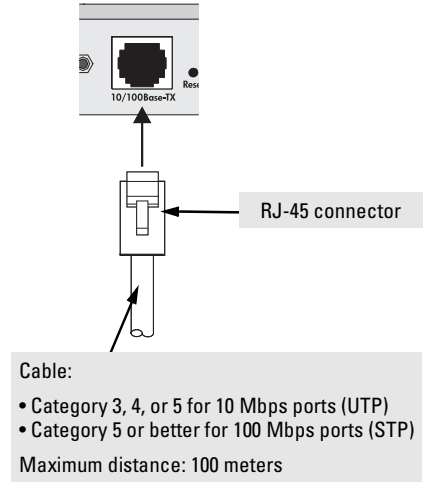
To connect:

Push the RJ-45 plug into the RJ-45 port until the tab on the plug clicks into place. When power is on for the access point and for the connected device, the 10/100Base-TX link LED should light to confirm a powered-on device (for example, a switch) is at the other end of the cable.

If the 10/100Base-TX link LED does *not* go on when the network cable is connected to the port, see “Diagnosing with the LEDs” in chapter 5, “Troubleshooting”.

To disconnect:

Press the small tab on the plug and pull the plug out of the port.



6. Position the Antennas on the Access Point

The antennas emit and receive signals along a toroidal plane—and thus provide more effective coverage when positioned along different axes. For example, you might position the antennas around 45 to 90 degrees from each other.

The access point compares the strength of an incoming signal on both antennas, and uses the antenna receiving the stronger signal to communicate with a wireless client. Note that both antennas are used to transmit, but never at the same time.

The access point’s antennas can also be replaced by various external antenna options that offer extended radio range and specific radio coverage patterns. For further information, see chapter 4, “Using an External Antenna with the Access Point 420”.

7. (Optional) Connect a Console to the Access Point 420

The Access Point 420 has a full-featured, easy to use console interface for performing access point management tasks, including the following:

- modify the access point's configuration to optimize access point performance, enhance network traffic control, and improve network security
- download new software to the access point
- set a Manager password to control access to the access point from the console, web browser interface, and network management stations

The console can be accessed through these methods:

- **Out-of-Band:** Use a serial cable for connecting a PC or VT-100 terminal to be used as a console directly to the access point.
- **In-Band:** Access the console using Telnet or Secure Shell (SSH) from a PC on the network, and a VT-100 terminal emulator. This method requires that you first configure the access point with an IP address and subnet mask by using either out-of-band console access or through DHCP. For more information on IP addressing and on starting a Telnet or SSH session, see chapter 3, "Getting Started With Access Point Configuration", and the *Management and Configuration Guide*, which is on the Documentation CD-ROM that came with your access point.

The Access Point 420 can simultaneously support one out-of-band console session through the Console Port and four in-band Telnet or SSH console sessions.

Note

For information on using the web browser interface to configure the access point, refer to the *Management and Configuration Guide*.

Terminal Configuration

To connect a console to the access point, configure the PC terminal emulator as a DEC VT-100 (ANSI) terminal or use a VT-100 terminal, and configure either one to operate with these settings:

- 9600 baud
- 8 data bits, 1 stop bit, no parity, and flow control set to None
- For the Windows Terminal program, also disable (uncheck) the "Use Function, Arrow, and Ctrl Keys for Windows" option
- For the Hilgraeve HyperTerminal program, select the "Terminal keys" option for the "Function, arrow, and ctrl keys act as" parameter

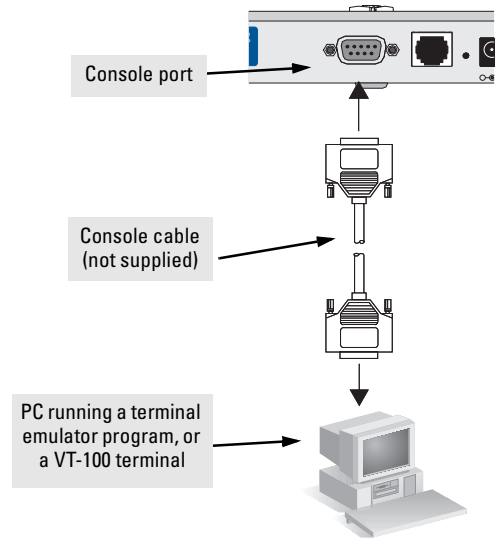
You can only attach to the console using these configuration settings.

Direct Console Access

To connect a console to the access point, follow these steps:

1. Connect the PC or terminal to the access point's Console port using a DB-9 female-to-female serial cable. (If your PC or terminal has a 25-pin serial connector, first attach a 9-pin to 25-pin straight-through adapter at one end of the console cable.)

The Console cable is described below. A null-modem cable or an HP serial cable, part number 5184-1894 (shipped with many HP ProCurve switches), may be used.



Access Point 420 serial port pin and signalling details

Access Point 420 Pin Assignment	Pin Number	Access Point Signal (DTE)
	1	Reserved
	2	RXD (input)
	3	TXD (output)
	4	Reserved
	5	GND
	6	Reserved
	7	RTS (output)
	8	CTS (input)
	9	Reserved

Connection to PC serial ports also requires a crossover (null-modem) cable with a female DB-9 connector on both ends. Terminal connections will vary, requiring either a DB-9 or DB-25 connector, male or female. Serial cable options between an HP ProCurve Wireless Access Point 420 and a PC terminal are shown in the following table.

Note: As indicated in the following table, some of the wires should not be connected. If you do connect the wires that are labeled “Reserved”, you might get unexpected results with some terminals.

Serial interface signal directions

DB-9 (DTE) Access Point 420		DB9 (DTE) Terminal or PC		DB-9 (DTE) Access Point 420		DB-25 (DTE) Terminal or PC	
1	Reserved	1		1	Reserved	8	
2	←	2	→	2	←	3	→
3	→	3	←	3	→	2	←
4	Reserved	4		4	Reserved	20	
5	— GND —	5		5	— GND —	7	
6	Reserved	6		6	Reserved	6	
7	←	7	→	7	←	4	→
8	→	8	←	8	→	5	←
9	Reserved	9		9	Reserved	22	

2. Turn on the terminal or PC’s power and, if using a PC, start the PC terminal program.
3. Enter **admin** at the **Username:** prompt, and press the **[Enter]** key at the **Password** prompt. You will then see the access point console command (CLI) prompt, for example:

HP ProCurve Wireless Access Point 420#

If you want to continue with console management of the access point at this time, see chapter 3, “Getting Started With Access Point Configuration” for some basic configuration steps. For more detailed information, refer to the *Management and Configuration Guide*, which is on the Documentation CD-ROM that came with your access point.

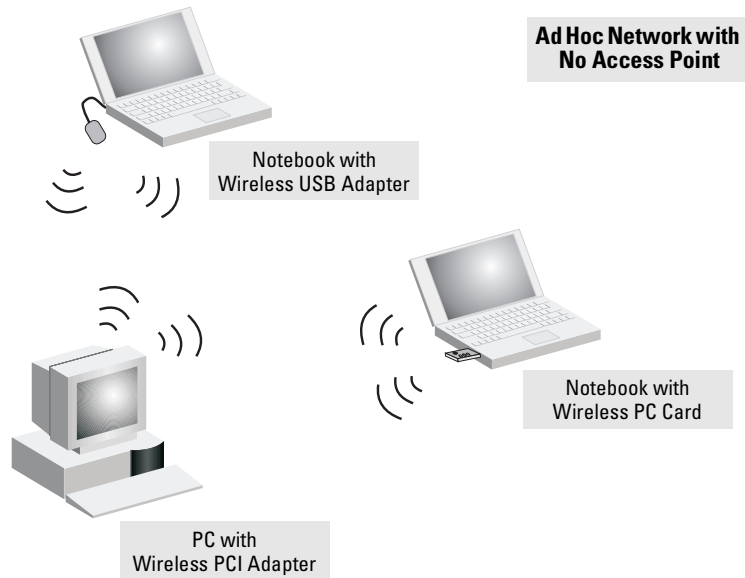
Sample Network Topologies

This section shows you a few sample network topologies in which the Access Point 420 is implemented. The wireless solution supports a stand-alone wireless network configuration as well as an integrated configuration with wired Ethernet LANs. Wireless network cards, adapters, and access points can be configured as:

- ad hoc for departmental or SOHO LANs
- infrastructure for wireless LANs
- infrastructure wireless LAN for roaming wireless PCs

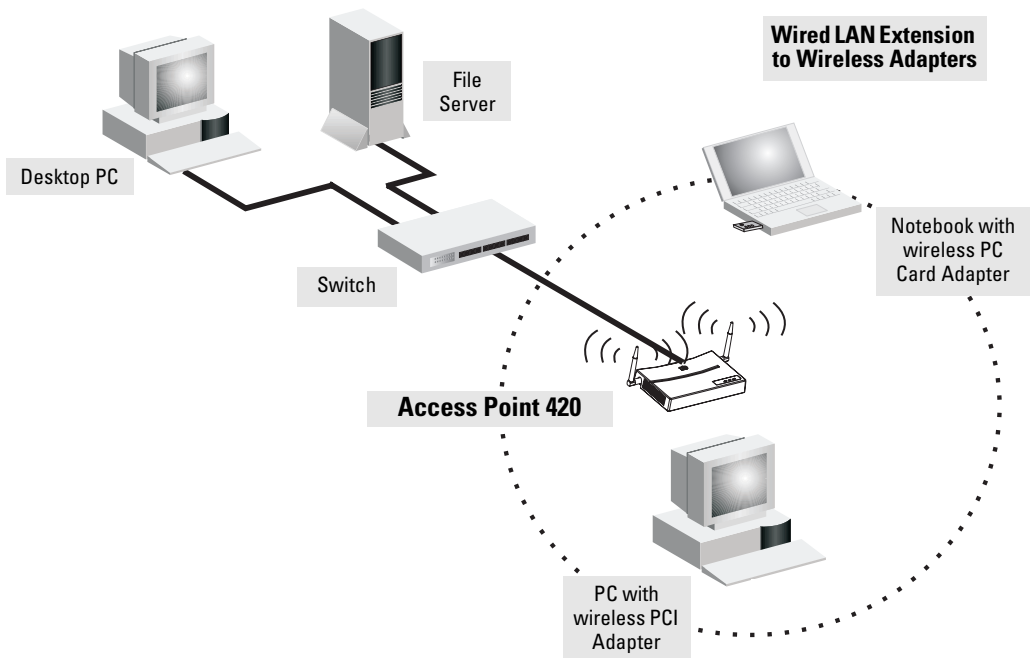
For more topology information, see the HP network products World Wide Web site, <http://www.hp.com/go/hpprocurve>.

Ad Hoc Wireless LAN (no access point)



An ad-hoc wireless LAN consists of a group of computers, each equipped with a wireless adapter, connected via radio signals as an independent wireless LAN. Computers in a specific ad-hoc wireless LAN must therefore be configured to the same radio channel. An ad-hoc wireless LAN can be used for a branch office or SOHO operation.

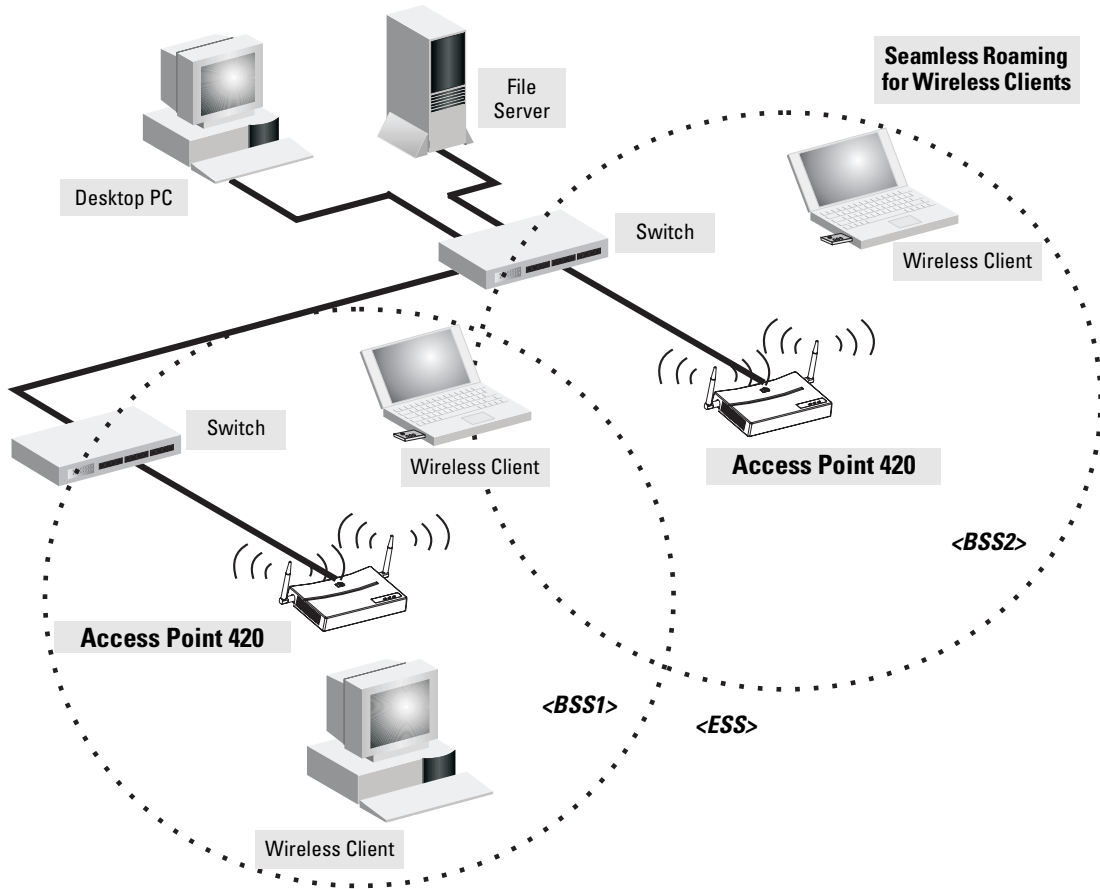
Infrastructure Wireless LAN



The Access Point 420 is designed to provide access to a wired LAN for wireless clients. An integrated wired/wireless LAN is called an Infrastructure configuration. A Basic Service Set (BSS) consists of a group of wireless PC users, and an access point that is directly connected to the wired LAN. Each wireless PC in this BSS can talk to any computer in its wireless group, or access other computers or network resources in the wired LAN infrastructure via the access point.

The infrastructure configuration not only extends the accessibility of wireless PCs to the wired LAN, but also increases the effective wireless transmission range for wireless PCs by passing their signal through one or more access points.

Infrastructure Wireless LAN for Roaming Wireless PCs



The Basic Service Set (BSS) defines the communications domain for each access point and its associated wireless clients. The BSS ID is a 48-bit binary number based on the access point's wireless MAC address, and is set automatically and transparently as clients associate with the access point. The BSS ID is used in frames sent between the access point and its clients to identify traffic in the service area.

The BSS ID is only set by the access point, never by its clients. The clients only need to set the Service Set Identifier (SSID) that identifies the service set provided by one or more access points. The SSID can be manually configured by the clients, can be detected in an access point's beacon, or can be obtained by querying for the identity of the nearest access point. For clients that do not need to roam, set the SSID for the wireless card to that used by the access point to which you want to connect.

A wireless infrastructure can also support roaming for mobile workers. More than one access point can be configured to create an Extended Service Set (ESS). By placing the access points so that a continuous coverage area is created, wireless users within this ESS can roam freely. All HP wireless network cards, adapters, and access points within a specific ESS must be configured with the same SSID.

— *This page is intentionally unused.* —

Getting Started With Access Point Configuration

This chapter is a guide for using the access point's console to quickly assign an Internet Protocol (IP) address and subnet mask to the access point, set a manager password, and, optionally, configure other basic features.

For more information on using the access point's console and the web browser interface, please see the *Management and Configuration Guide*, which is on the Documentation CD-ROM that came with your access point.

Recommended Minimal Configuration

In the factory default configuration, the access point is configured as a DHCP client. If the access point fails to obtain an IP address from the DHCP server, its IP address defaults to 192.168.1.1. If this address is not compatible with your network, then the access point can only be managed through a direct console connection. To manage the access point through in-band (networked) access, you should configure the access point with an IP address and subnet mask compatible with your network. Also, you should configure a Manager password to control access to the console and web browser interface. Other parameters can be left at their default settings or you can configure them with values you enter.

Caution

The country code for the HP ProCurve Wireless Access Point 420 na (J8130A) sold in the United States and Canada is fixed in the firmware and cannot be changed. This means that only radio channels 1-11 are available for this model.

The country code for the HP ProCurve Wireless Access Point 420 ww (J8131A) sold in other countries is not set, and must be configured before you can enable radio communications for the access point. Setting the country code enables only those radio channels permitted for wireless networks in the specified country. Please refer to "To Set the Access Point's Country Code" on page 3-4 for information on setting the country code.

Note that once you have set the country code, it can only be changed by restoring the factory default settings as described under "Restoring the Factory Default Configuration" on page 5-8.

Many other features can be configured through the access point's console interface to optimize the access point's performance, to enhance your control of the network traffic, and to improve network security. Once an IP address has been configured on the access point, these features can be accessed more conveniently through a remote Telnet or Secure Shell (SSH) session, or through the access point's web browser interface.

For more information on IP addressing, refer to "Configuring IP Settings" in the *Management and Configuration Guide*.

Note

By default, the access point is configured to acquire an IP address configuration from a DHCP server. To use DHCP instead of the manual method described in this chapter, see "Configuring IP Settings" in the *Management and Configuration Guide*, which is on the Documentation CD-ROM that came with your access point.

Using the Command Line Interface

The quickest and easiest way to minimally configure the access point for management and password protection in your network is to use a direct console connection to the access point, start a console session, and access the command line interface (CLI).

To Set the Manager User Name and Password

Management access to the access point's Web and CLI interface is controlled through user names and passwords. A Manager user name and password allows full read/write privileges for the Web and CLI. An Operator user name and password can also be configured. The Operator is restricted to read-only access. A maximum of only two users can be configured, one Manager and one Operator.

1. Using the method described in the preceding chapter, connect a terminal device to the access point, and press **[Enter]** to initiate the console connection.
2. Type **admin** for the default Manager user name. The default password is null, so just press **[Enter]** at the password prompt. The CLI prompt appears displaying the access point's model number.

```
Username: admin
Password:
HP ProCurve Access Point 420#
```

3. Type **configure** to enter global configuration mode.

```
HP ProCurve Access Point 420#configure
Enter configuration commands, one per line.
HP ProCurve Access Point 420(config)#
```

4. Type **management** to enter management configuration.

```
HP ProCurve Access Point 420(config)management
Enter management commands, one per line.
HP ProCurve Access Point 420(config-mgmt)#
```

5. Type **username-admin *username*** to create a user name for the Manager, where *username* can consist of 3 to 16 alphanumeric characters and is case sensitive.

```
HP ProCurve Access Point 420(config-mgmt)#username-admin steve
HP ProCurve Access Point 420(config-mgmt)#
```

6. Type **password-admin *password*** to create a password for the Manager, where *password* can consist of up to 16 alphanumeric characters and is case sensitive.

```
HP ProCurve Access Point 420(config-mgmt)#password-admin 1AB2F
HP ProCurve Access Point 420(config-mgmt)#
```

To Set the Access Point's IP Address

By default, the access point is configured to automatically receive IP addressing from a Dynamic Host Configuration Protocol (DHCP) server. However, if you are not using a DHCP server to configure IP addressing, use the CLI to manually configure the IP values.

1. From the global configuration mode, type **interface ethernet** to access the Ethernet interface-configuration mode.

```
HP ProCurve Access Point 420(config)#interface ethernet
Enter Ethernet configuration commands, one per line.
HP ProCurve Access Point 420(if-ethernet)#
```

2. Type **show** to display the access point's default IP configuration, including IP address, subnet mask, and default gateway. The following illustration shows the default settings.

```
HP ProCurve Access Point 420(if-ethernet)#show
Ethernet Interface Information
=====
IP Address       : 192.168.1.1
Subnet Mask     : 255.255.255.0
Default Gateway : 192.168.1.254
Primary DNS     : 0.0.0.0
Secondary DNS   : 0.0.0.0
Speed-duplex    : 100Base-TX Full Duplex
Admin status    : Up
Operational status : Up
=====
HP ProCurve Access Point 420(if-ethernet)#
```

3. To manually assign an IP address, first type **no ip dhcp** to disable DHCP client mode. Then type **ip address ip-address netmask gateway**, where *ip-address* is the access point's IP address, *netmask* is the network mask for the network, and *gateway* is the default gateway router. Check with your system administrator to obtain an IP address that is compatible with your network.

```
HP ProCurve Access Point 420(if-ethernet)#no ip dhcp
HP ProCurve Access Point 420(if-ethernet)#ip address 192.168.2.2
255.255.255.0 192.168.2.254
HP ProCurve Access Point 420(if-ethernet)#
```

To Set the Access Point's Country Code

If you are using the HP ProCurve Wireless Access Point 420 na (J8130A) model sold in the United States, radio channels 1 - 11 are the only options supported under FCC regulations, and cannot be changed. However, if you are using HP ProCurve Wireless Access Point 420 ww (J8131A) model sold in other countries, then you need to set the country code to indicate the channels permitted for your area. The country code can only be set using the CLI.

Note

Setting the Country Code requires a system reboot.

1. First type **country ?** to display the list of countries.
2. Select the code for your country, and enter the **country** command again, followed by your country code (for example, GB for Great Britain).
3. Type **y** to reboot the access point and make the setting effective.

```
HP ProCurve Access Point 420#country gb
Reboot system now to make the country code change effective? <y/n>: y
Reboot system...
```

To Configure Radio Settings

The access point supports up to eight Service Set Identifier (SSID) interfaces. Most radio parameters apply globally to all configured SSID interfaces. For each SSID interface, different security settings, VLAN assignments, and other parameters can be applied.

One SSID interface on the access point is set as the primary. The primary SSID is the only SSID broadcast in the access point's beacon frames. Other created SSID interfaces are set as secondary. Secondary SSIDs are all "hidden," only being advertised in probe responses.

Note

The radio is disabled if the Country Code is not set. Once the Country Code is set, the radio can be enabled.

1. From the Exec mode, type the **show interface wireless g** command to display the access point's default radio configuration, including the radio mode, radio channel, and operation status. The following illustration shows the default settings.

```

HP ProCurve Access Point 420#show interface wireless g

Wireless Interface Common Information
=====
-----Identification-----
Description                : Enterprise 802.11g Access Point
Radio mode                 : 802.11b + 802.11g
Channel                   : 11 (AUTO)
Supported SSID number      : 8
Supported Total Client number : 128
Status                    : Disabled
-----802.11 Parameters-----
Transmit Power             : FULL (13 dBm)
Max Station Data Rate      : 54Mbps
Multicast Data Rate        : 1Mbps
Fragmentation Threshold    : 2346 bytes
RTS Threshold              : 2347 bytes
Beacon Interval            : 100 TUs
Authentication Timeout Interval : 60 Mins
Association Timeout Interval : 30 Mins
DTIM Interval              : 1 beacon
Preamble Length            : SHORT-OR-LONG
Slot time                  : AUTO
-----Security-----
Static Keys :
  Key 1: OPEN   Key 2: OPEN   Key 3: OPEN   Key 4: OPEN
-----Antenna-----
Antenna mode                : Diversity
Antenna gain attenuation
  Low channel                : 100%
  Mid channel                 : 100%
  High channel                : 100%
=====
HP ProCurve Access Point 420#

```

2. Type **configure** to enter global configuration mode, and then type **interface wireless g** to access the wireless interface-configuration mode.

```
HP ProCurve Access Point 420#configure
Enter configuration commands, one per line.
HP ProCurve Access Point 420(config)#interface wireless g
Enter Wireless configuration commands, one per line.
HP ProCurve Access Point 420(if-wireless-g)#
```

3. To set the radio channel through which the access point communicates with its wireless clients. Use the default setting (**auto**) to have the access point automatically select the first available channel. Otherwise, type **channel number**, where *number* can be from 1 to 14, depending on the wireless regulations specified by your country.

```
HP ProCurve Access Point 420(if-wireless-g)#channel 9
HP ProCurve Access Point 420(if-wireless-g)#
```

4. To set the primary Service Set Identifier (SSID) for the access point. Type **ssid index 1** to enter SSID interface configuration for the primary SSID interface. Then type **ssid identifier**, where *identifier* can consist of up to 32 alphanumeric characters and is case sensitive.

```
HP ProCurve Access Point 420(if-wireless-g)#ssid index 1
HP ProCurve Access Point 420(if-wireless-g-ssid-1)#ssid AP420
HP ProCurve Access Point 420(if-wireless-g-ssid-1)#
```

5. To enable the radio, type **end** to return to wireless interface-configuration mode, then type **no shutdown** to enable the radio interface.

```
HP ProCurve Access Point 420(if-wireless-g-ssid-1)#end
HP ProCurve Access Point 420(if-wireless-g)#no shutdown
HP ProCurve Access Point 420(if-wireless-g)#
```

Note

All settings are immediately saved and retained on a reboot.

Here is some information on the basic IP address and wireless configuration parameters. For more information on these fields, see the *Management and Configuration Guide*, which is on the Documentation CD-ROM that came with your access point:

Parameter	Default	
Username	admin	The name of the manager.
Password	none	The password for the manager.
IP Address	192.168.1.1	IP address compatible with your network.
Subnet Mask	255.255.255.0	Subnet mask compatible with your network.
Default Gateway	192.168.1.254	IP address of the next-hop gateway node for network traffic that needs to be able to reach off-subnet destinations.
Primary SSID	Enterprise Wireless AP 1	The primary Service Set Identifier (SSID) interface for the access point. Only the primary SSID is broadcast in the access point's beacon frames.
Channel	0 (AUTO)	The radio channel through which the access point communicates with its wireless clients. When attempting to connect, most wireless clients automatically set their radio channel to the same channel used by the access point.
Wireless Operation	Disabled	Wireless operation can only be enabled after you have set the country code.

Note: The IP address and subnet mask assigned for the access point must be compatible with the IP addressing used in your network. For more information on IP addressing, see the *Management and Configuration Guide*, which is on the Documentation CD-ROM that came with your access point.

Where to Go From Here

The above procedure, using the CLI, configured your access point with a Manager password, IP address, and subnet mask. As a result, with the proper network connections, you can now manage the access point from a PC equipped with Telnet or a Secure Shell client, or a web browser interface. The above procedure also configured the primary Service Set Identifier (SSID), the radio channel, and enabled wireless operation. Your wireless clients can now access the network by setting their SSID and radio channel to the same values used by the access point. Note that some wireless clients can be configured to scan all of the radio channels for an access point and the SSID.

Some basic information on managing your access point is included in the next section. For more information on the console and web browser interfaces, and all the features that can be configured on the Access Point 420, please see the *Management and Configuration Guide*, which is on the Documentation CD-ROM that came with your access point.

To Recover from a Lost Manager Password: If you cannot start a console session because of a lost manager password, you can clear the password and user name by getting physical access to the access point and pressing and holding the Reset button for more than five seconds. However, note that this action resets all configuration settings to the factory defaults.

Caution

The Reset button is provided for your convenience, but if you are concerned with the security of the access point configuration and operation, you can disable it. For more information, see the *Management and Configuration Guide*, which is on the Documentation CD-ROM that came with your access point.

Using the IP Address for Remote Access Point Management

With your Access Point 420, you can use the access point's IP address to manage the access point from any PC that is on the same subnet as the access point. You can use either a Telnet or Secure Shell (SSH) session, or a standard web browser to manage the access point.

Note

To provide more security for the access point, management interfaces that are not required can be disabled. This includes the Web, Telnet, and SSH, as well as the serial console port and Reset button. For more information, see the *Management and Configuration Guide*, which is on the Documentation CD-ROM that came with your access point.

Starting a Telnet Session

To access the access point through a Telnet session, follow these steps:

1. Make sure the access point is configured with an IP address and that the access point is reachable from the PC that is running the Telnet session (for example, use a **ping** command to the access point's IP address).
2. Start the Telnet program on a PC that is on the same subnet as the access point and connect to the access point's IP address.

Example:

telnet 192.168.1.19

3. Enter the user name and password. (The default user name is **admin** and the default password is null. You will then see the access point's console command (CLI) prompt, for example:

```
Username: admin
Password:
HP ProCurve Access Point 420#
```

Enter **?** to see a list of commands that can be executed at the prompt. Entering any command followed by **?** displays a list of options that are available at that point in the command entry.

Starting an SSH Session

To access the console through an SSH session, SSH v2.0 client software must be installed on the management station PC. Note that after boot up, the access point's SSH server needs about two minutes to generate host encryption keys. The SSH server is disabled while the keys are being generated.

Note

The access point supports only SSH version 2.0.

To access the access point through an SSH session, follow these steps:

1. Make sure the access point is configured with an IP address and that the access point is reachable from the PC that is running the SSH session (for example, use a **ping** command to the access point's IP address).
2. Start the SSH client program on a PC that is on the same subnet as the access point and connect to the access point's IP address.

Example:

ssh 192.168.1.19

3. Enter the Manager user name and password. (The default Manager user name is **admin** and the default password is null. You will then see the access point's console command (CLI) prompt, for example:

```
Username: admin
Password:
HP ProCurve Access Point 420#
```

Starting a Web Browser Session

Your Access Point 420 can be managed through a graphical interface that you can access from any PC or workstation on the same subnet as the access point. Open a compatible browser and type the access point's IP address as the URL. (See "Using the Command Line Interface" on page 3-2 for information on setting the IP address.) No additional software installation is required to make this interface available; it is included in the access point's onboard software.

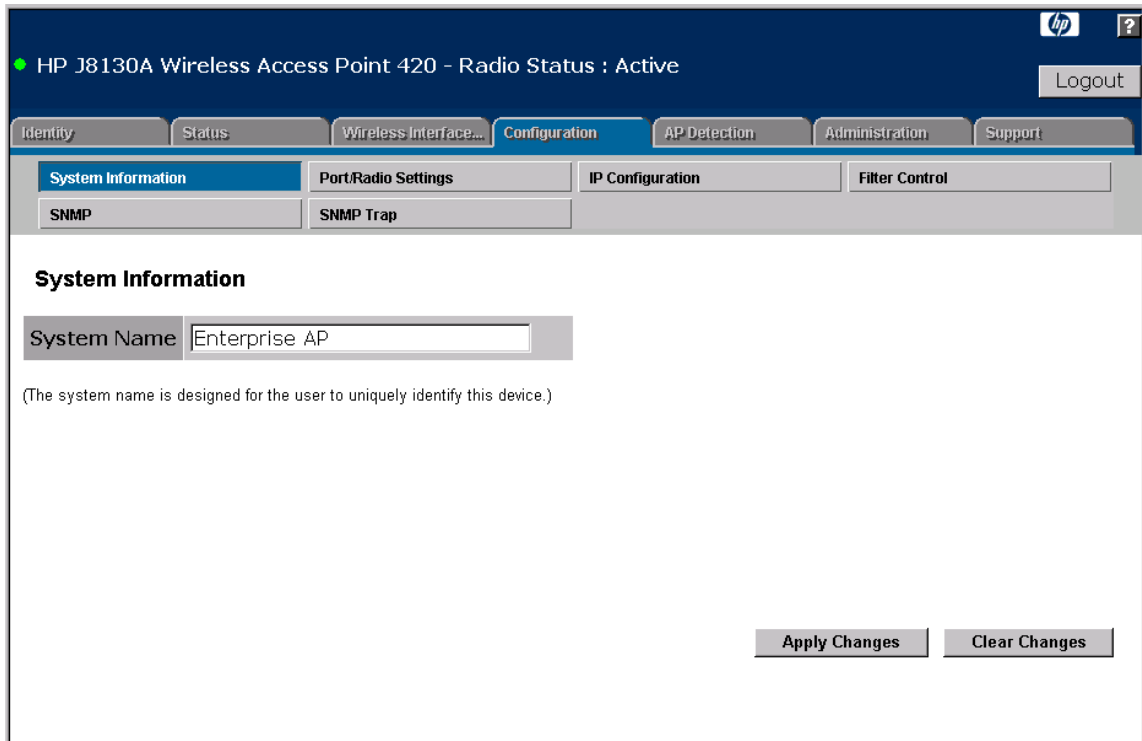
The operating systems, web browsers, and Java support required to manage the access point through the browser interface are listed in the following table::

Operating System	Internet Explorer	Netscape	Mozilla	Mozilla Firefox	Java
Windows 2000 Professional	5.0 ¹	7.0 ² 7.1 ²	1.7.3 ²	1.0PR ²	¹ Microsoft Java Virtual Machine 5.00.3810. ² Sun Java 2 Runtime Environment Standard Edition v1.4.1 and v1.4.2
Windows 2000 Professional SP4	5.0 ^{1,2}	7.0 ² 7.1 ²	1.7.3 ²	1.0PR ²	
Windows 2000 Server SP4	5.0 ^{1,2}	7.0 ² 7.1 ²		1.0PR ²	
Windows XP Professional version 2002 SP1	6.0 ^{1,2}	7.0 ² 7.1 ²	1.7.3 ²	1.0PR ²	
Windows XP Professional version 2002 SP2	6.0 ^{1,2}	7.0 ² 7.1 ²	1.7.3 ²	1.0PR ²	
Windows 2003 Server	6.0 ^{1,2}	7.0 ² 7.1 ²	1.7.3 ²	1.0PR ²	
Mac OS 9.2		7.0			Sun Java 2 Runtime Environment Standard Edition v1.4.2
Linux kernal 2.4.18.44			1.0.1		


Getting Started With Access Point Configuration

Using the IP Address for Remote Access Point Management

A typical web browser interface screen is shown in the next illustration.



For more information on using the web browser interface, please see the *Management and Configuration Guide*, which is on the Documentation CD-ROM that came with your access point.

A help system is also available for the web browser interface. Click the  box in the upper-right corner of the screen.

Using an External Antenna with the Access Point 420

The HP Access Point 420 provides a variety of external antenna options for extending the radio range and shaping the coverage area. These antennas offer a number of different mounting locations, including indoor or outdoor, wall, ceiling, or radio mast.

This chapter shows you how to install an external antenna for your Access Point 420.

Professional Installation Required

Only the HP antennas listed in this guide are permitted to be connected to the Access Point 420. You must use the appropriate antennas, cables, and where applicable, surge arrestors, for your given region. You are responsible for verifying local regulations or legislation that may impose restrictions on the use of specific antenna and cable combinations. For this reason, HP recommends that you consult with a professional installer who is trained in RF installation and knowledgeable in the local regulations prior to connecting an external antenna to your wireless radio product. It is the responsibility of the end user to ensure that the antenna installation complies with the local radio regulations.

External Antenna Options

The Access Point 420 external antenna options are outlined in the following table:

Table 4-1. Summary of External Antennas to Use With the Access Point 420

Antenna Type	Part Number	Mounting	Horizontal Beamwidth (3dB)	Vertical Beamwidth (3dB)
2 dBi indoor omnidirectional diversity	J8442A	Ceiling grid	360 Degrees	80 Degrees
5 dBi indoor/outdoor omnidirectional	J8441A	Ceiling or mast	360 Degrees	31 Degrees
6.5 dBi indoor/outdoor directional diversity	J8445A	Flush wall mount, articulating mount for wall or mast	80 Degrees	55 Degrees
7 dBi indoor/outdoor directional	J8443A	Flush wall mount with integrated articulating feature	65 Degrees	50 Degrees
8 dBi outdoor omnidirectional	J8444A*	Mast	360 Degrees	12 Degrees
11 dBi indoor/outdoor wide angle directional	J8446A*	Flush wall mount, tilt mount for mast	120 Degrees	13 Degrees

*** These antennas are not permitted for use in North America.**

Installation Procedures

Follow these steps to install an external antenna and connect it to the Access Point 420.

Caution

Never mount the access point outdoors to be near an external antenna. The access point must always be installed indoors.

1. Plan the Installation

- **Pigtail Cables** - Use the coax pigtail cable attached to the antenna to connect to the access point. Because most pigtail cables are a relatively short length (83 cm or 33 inches), be sure to find a suitable mounting position for the antenna that is not too far from the access point. If an extension cable is required, please contact a professional installer who is trained in RF installation and knowledgeable in the local regulations.
- **Installation Location** - Plan the antenna's position and orientation.

Warning

The radiated output power of this device is below the FCC radio exposure limits. Nevertheless, the device should be used in such a manner that the potential for human contact during normal operation is minimized. To avoid the possibility of exceeding the FCC radio frequency exposure limits, human proximity to the antennas should not be less than 20 cm (8 inches) during normal operation.

Consider these points:

- Use the antenna's mounting bracket or other hardware, if included.
- For optimum performance, mount antennas as high as possible above any obstructions, and away from any signal absorbing or reflecting structures (such as those containing metal)
- Be sure there are no other radio antennas mounted within 2 m (6 ft).
- Consider the antenna's radio coverage pattern so that it can properly cover the intended service area.
- **Omnidirectional Antennas** - Consider these factors when selecting a location for these antennas:
 - Always mount the antenna in a vertical orientation so that the radio coverage pattern fills the intended horizontal space.

- For optimum coverage, mount the antenna at the center of the area with a line-of-sight path to all points within the area.
- Avoid mounting next to or near building support columns or other obstructions that may cause reduced signal or null zones in parts of the coverage area.
- When mounting outdoors using a mast, make sure that the antenna extends beyond the top of the mast.
- **Directional Antennas** - Consider these factors when selecting a location for these antennas:
 - For optimum coverage, mount the antenna above any obstructions, directed at the center of the coverage area sector.
 - High-gain directional antennas provide a flattened radio coverage pattern in the horizontal plane. Use the tilting or articulated mounts to point the antennas towards the coverage area.
- **Outdoor Installation** - When installing an antenna outdoors, be sure to consider these additional factors:
 - Always place the antenna away from power and telephone lines
 - Make sure that the antenna, any supporting structure, and cables are all properly grounded.
 - For lightning protection, consider using a lightning arrestor immediately before the cable enters the building.

Warning

Never install an antenna or construct a radio mast near overhead power lines.

2. Mount the Antenna

Install the antenna in its planned location using the brackets, clips, or other hardware included in the antenna package.

Refer to documentation included with the antenna for specific information and installation instructions.

3. Connect Pigtail Cables to the Access Point

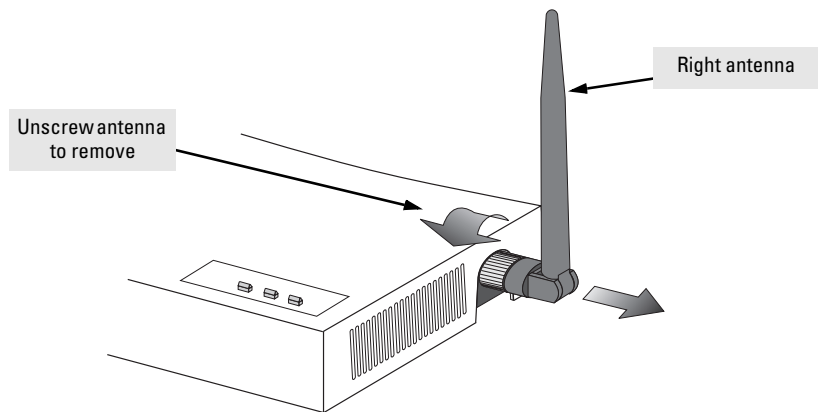
Use the pigtail cables that are attached to the antenna, or are included in the antenna package. If an extension cable is required, please contact a professional installer who is trained in RF installation and knowledgeable in the local regulations.

Note that diversity antennas have two pigtail cables. A diversity antenna includes two internal antenna elements that are identical. Both antenna pigtail cables must be connected to the access point for correct operation.

Other non-diversity antennas, which have only one pigtail cable, attach to the access point's right antenna connector. The access point's right antenna is the one on the side closest to the LED indicators. When using a non-diversity antenna, a 50-ohm terminator (included with the antenna) must be connected to the access point's left antenna connector.

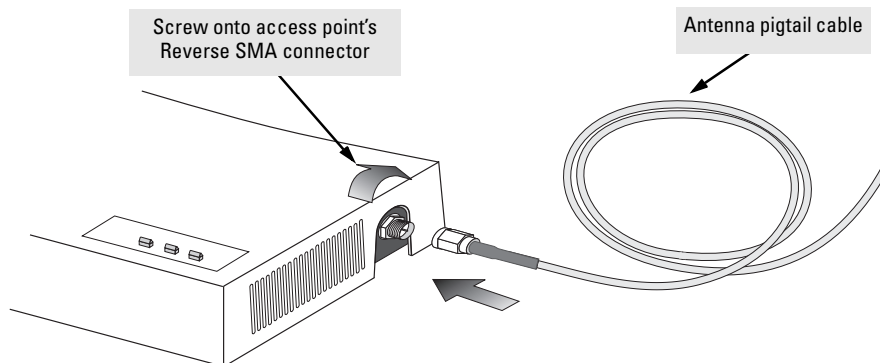
To connect pigtail cables to the access point, follow these steps:

1. Disable the access point radio using the web browser interface, CLI, or SNMP.
2. Remove power to the access point.
3. Remove both of the access point's antennas by unscrewing them at their base.



4. For diversity antennas, connect the antenna pigtail cables to the exposed Reverse SMA connectors on both sides of the access point.

For non-diversity antennas, be sure to connect the single pigtail cable to the Reverse SMA connector on the access point's right side. When using a non-diversity antenna, you must also connect the 50-ohm terminator (5092-0933), included with the antenna, to the access point's left-side Reverse SMA connector.



5. Reconnect power to the access point.

Note

Before enabling the radio with an external antenna attached, be sure to first configure the access point's antenna mode and transmit power settings.

4. Configure the Antenna Mode and Transmit Power Control Limits

Using the web browser interface, CLI, or SNMP, you must configure the Access Point 420 to use an external antenna. For more information on access point configuration, see the *Management and Configuration Guide*, which is on the Documentation CD-ROM that came with your access point.

The access point must be set for the type of external antenna that is attached, either a diversity antenna that connects to both access point antenna connectors, or non-diversity antenna that has a single pigtail connection.

The access point's transmit power must be limited to conform to local regulations. Use the regional settings for each antenna and radio mode as provided in the Transmit Power Control tables below.

Caution

An improper combination of transmit power and antenna gain may result in an EIRP power level in excess of the legally imposed limit. The transmit power reduction required for each antenna in each radio mode is listed in the following tables. Failure to adhere to these guidelines may violate the radio

laws for your region. For additional information on setting radio transmit power, refer to the *Management and Configuration Guide*, which is on the Documentation CD-ROM that came with your access point.

External Antenna	802.11b Transmit Power Control (TPC) Settings (%)											
	FCC/IC			EU/ETSI			Japan			Taiwan		
	L	M	H	L	M	H	L	M	H	L	M	H
2 dBi Indoor Diversity, J8442A	100	100	100	100	100	100	100	100	100	100	100	100
5 dBi Indoor/Outdoor Omni, J8441A	100	100	100	63	63	63	63	63	63	100	100	100
6.5 dBi Indoor/Outdoor Directional Diversity, J8445A	79	79	79	32	32	32	100	100	63	79	79	79
7 dBi Indoor/Outdoor Directional, J8443A	79	79	79	32	32	32	100	100	80	79	79	79
8 dBi Outdoor Omni, J8444A	—	—	—	32	32	32	50	50	50	79	79	79
11 dBi Indoor/Outdoor wide angle directional, J8446A*	—	—	—	13	13	20	50	50	25	40	79	40
* Use of this antenna in the EU/ETSI region requires an additional insertion loss of 4 dB for this radio mode. Insertion loss is made up of added cable, connectors, and lightning arrestors.												

External Antenna	802.11g Transmit Power Control (TPC) Settings (%)											
	FCC/IC			EU/ETSI			Japan			Taiwan		
	L	M	H	L	M	H	L	M	H	L	M	H
2 dBi Indoor Diversity, J8442A	100	100	100	100	100	100	100	100	100	100	100	100
5 dBi Indoor/Outdoor Omni, J8441A	71	100	71	79	79	79	100	100	100	71	100	71
6.5 dBi Indoor/Outdoor Directional Diversity, J8445A	40	100	40	50	50	50	100	100	100	40	100	40
7 dBi Indoor/Outdoor Directional, J8443A	40	100	40	40	40	40	100	100	100	40	100	40
8 dBi Outdoor Omni, J8444A	—	—	—	40	40	40	100	100	100	32	100	32
11 dBi Indoor/Outdoor wide angle directional, J8446A*	—	—	—	20	20	20	100	100	100	18	79	22
* Use of this antenna in the EU/ETSI region or Taiwan requires an additional insertion loss of 2 dB for this radio mode. Insertion loss is made up of added cable, connectors, and lightning arrestors.												

External Antenna	802.11b/g (Dual Mode) Transmit Power Control (TPC) Settings (%)											
	FCC/IC			EU/ETSI			Japan			Taiwan		
	L	M	H	L	M	H	L	M	H	L	M	H
2 dBi Indoor Diversity, J8442A	100	100	100	100	100	100	100	100	100	100	100	100
5 dBi Indoor/Outdoor Omni, J8441A	71	100	71	63	63	63	63	63	63	71	100	71
6.5 dBi Indoor/Outdoor Directional Diversity, J8445A	40	79	40	32	32	32	100	100	63	40	79	40
7 dBi Indoor/Outdoor Directional, J8443A	40	79	40	32	32	32	100	100	80	40	79	40
8 dBi Outdoor Omni, J8444A	—	—	—	32	32	32	50	50	50	32	79	32
11 dBi Indoor/Outdoor wide angle directional, J8446A*	—	—	—	13	13	20	50	50	25	18	79	22

* Use of this antenna in the EU/ETSI region requires an additional insertion loss of 4 dB for this radio mode.
Use of this antenna in Taiwan requires an additional insertion loss of 2 dB for this radio mode.
Insertion loss is made up of added cable, connectors, and lightning arrestors.

Setting the Antenna Mode Using the CLI

1. Type **configure** to enter global configuration mode.

```
HP420#configure
Enter configuration commands, one per line. End with
CTRL/Z
HP420(config)#
```

2. Type **interface wireless g** to enter interface configuration mode.

```
HP420(config)#interface wireless g
Enter Wireless configuration commands, one per line.
HP420(if-wireless g)#
```

3. Type **antenna-mode diversity** if using a diversity antenna.

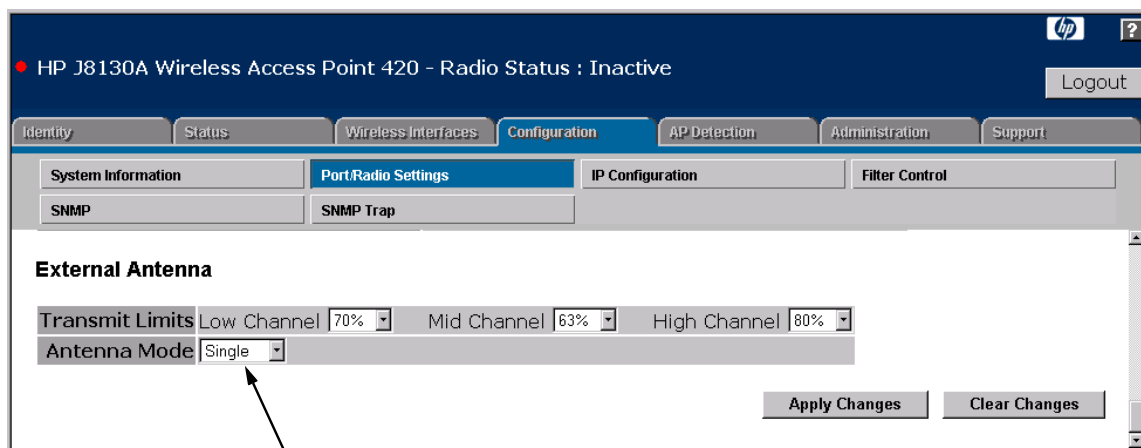
```
HP420(config)#antenna-mode diversity
```

Type **antenna-mode single** if using a non-diversity antenna.

```
HP420(config)#antenna-mode single
```

Setting the Antenna Mode Using the Web Interface

1. Select the **Configuration** tab.
2. Click the [**Port/Radio Settings**] button.
3. Scroll down to the **External Antennas** section at the bottom of the page.
4. From the **Antenna Mode** drop-down menu, select **Diversity** or **Single** for the type of antenna attached to the access point.
5. Click the [**Apply Changes**] button.



Antenna Mode selection;
Diversity or Single.

Setting Transmit Power Limits Using the CLI

1. Type **configure** to enter global configuration mode.

```
HP420#configure
Enter configuration commands, one per line. End with
CTRL/Z
HP420 (config) #
```

2. Type **interface wireless g** to enter interface configuration mode.

```
HP420 (config) #interface wireless g
Enter Wireless configuration commands, one per line.
HP420 (if-wireless g) #
```

3. To set the antenna power limits, type **transmit-limits** followed by the low, middle, and high channel settings as given for the antenna and region in the Transmit Power Control Settings table for that radio mode (b; g; b and g).

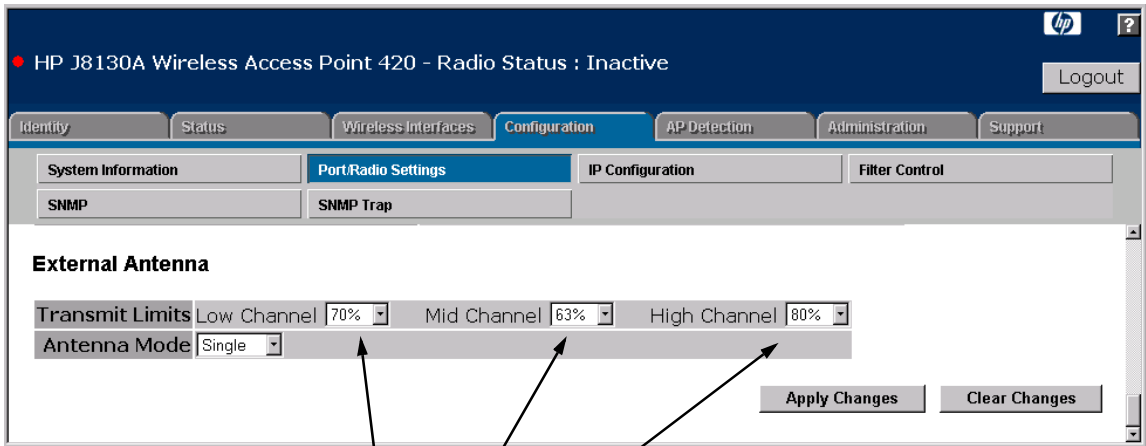
For example, when using the 6.5 dBi Indoor/Outdoor Directional Diversity antenna (J8445A) in North America with the access point set to dual (b and g) mode, the TPC settings table for dual mode (see page 4-8) indicates the following settings are required: 40% for the low channel, 79% for the middle channel, and 40% for the high channel.

For this example, type the following command:

```
HP420(if-wireless g)#transmit-limits 40 79 40
```

Setting Transmit Power Limits Using the Web Interface

1. Select the **Configuration** tab.
2. Click the [**Port/Radio Settings**] button.
3. Scroll down to the **External Antennas** section at the bottom of the page.
4. From the drop-down menu for **Low Channel**, **Mid Channel**, and **High Channel**, select the settings as given for the antenna and region in the Transmit Power Control Settings table for that radio mode (b; g; b and g).
5. Click the [**Apply Changes**] button.



Transmit Power Control limits for Low, Middle, and High channels.

— *This page is intentionally unused.* —

Troubleshooting

This chapter describes how to troubleshoot your HP ProCurve Wireless Access Point 420. Note that this document describes troubleshooting mostly from a hardware perspective. You can perform more in-depth troubleshooting on the Access Point 420 using the software tools available with the access point, including the full-featured console interface and the built-in web browser interface.

This chapter describes the following:

- basic troubleshooting tips (page 5-1)
 - diagnosing with the LEDs (page 5-3)
 - proactive networking tools (page 5-5)
 - hardware diagnostic tests (page 5-6)
 - restoring the factory default configuration (page 5-8)
 - downloading new software to the Access Point 420 (page 5-10)
 - HP Customer Support Services (page 5-10)
-

Basic Troubleshooting Tips

Most problems are caused by the following situations. Check for these items first when starting your troubleshooting:

- **Connecting to devices that have a fixed full-duplex configuration.** By default, the RJ-45 port uses auto-negotiation to determine the duplex mode. That is, when connecting to attached devices, the access point will operate in one of two ways to determine the link speed and the communication mode (half duplex or full duplex):
 - If the connected device is also configured to use auto-negotiation, the access point will automatically negotiate both link speed and communication mode.
 - If the connected device has a fixed configuration, for example 100 Mbps, at half or full duplex, the access point will automatically sense the link speed, but will default to a communication mode of *half duplex*.
-

Because the Access Point 420 behaves in this way (*in compliance with the IEEE 802.3 standard*), if a device connected to the access point has a fixed configuration at *full duplex*, the device will not connect correctly to the access point. The result will be high error rates and very inefficient communications between the access point and the device.

All devices connected to the Access Point 420 should be configured to auto-negotiate. To correct this problem you have to manually set the access point's RJ-45 port to match the duplex mode used by the attached device.

- **Faulty or loose cables.** Look for loose or obviously faulty connections. If the cables appear to be OK, make sure the connections are secure. If that does not correct the problem, try a different cable.
- **Non-standard cables.** Non-standard and miswired cables may cause network collisions and other network problems, and can seriously impair network performance. Use a new correctly-wired cable or compare your cable to the cable in appendix B, “Access Point Port and Network Cables” for pinouts and correct cable wiring. A category 5 cable tester is a recommended tool for every 100Base-TX network installation.
- **Improper Network Topologies.** It is important to make sure you have a valid network topology. Common topology faults include excessive cable length and excessive repeater delays between end nodes. If you have network problems after recent changes to the network, change back to the previous topology. If you no longer experience the problems, the new topology is probably at fault. Sample topologies are shown at the end of chapter 2 in this book, and some topology configuration guidelines can be found online at the HP ProCurve web site, <http://www.hp.com/rnd/index.htm>. under “network configuration examples.”
- **Mobile users cannot connect to the network.** Make sure that the access point and wireless clients are configured with compatible security settings. Check to ensure that the wireless client is within the maximum range supported by the access point. Also verify that the wireless client has been configured with an IP address compatible with the attached network, either manually or via DHCP.

For more information on possible network problems and their solutions, refer to the technical note “Troubleshooting LAN Performance and Intermittent Connectivity Problems”, which can be found on the HP ProCurve web site, <http://www.hp.com/go/hpprocurve>, in the Reference Library section under <http://www.hp.com/rnd/library/index.htm> under “T” in the “A-Z index.”

Diagnosing with the LEDs

Table 5-1 shows LED patterns on the access point that indicate problem conditions.

1. Check in the table for the LED pattern that you see on your access point.
2. Refer to the corresponding diagnostic tip on the next few pages.

Table 5-1. LED Error Indicators

LED Pattern Indicating Problems			Diagnostic Tips
Power	Wireless LED	10/100-TX LED	
Off with power cord plugged in	*	*	1
Off without power cord plugged in, but linked to a PoE source	*	*	2
Prolonged Blinking [†]	*	*	3
On	Off	*	4
On	*	Off with cable connected	5
On	*	On, but the port is not communicating	6
<p>* This LED is not important for the diagnosis. [†] The blinking behavior is an on/off cycle once every 3 seconds, approximately.</p>			

Diagnostic Tips:

Tip	Problem	Solution
1	The access point is not plugged into an active AC power source, or the access point's AC power adapter may have failed.	<ol style="list-style-type: none"> 1. Verify that the power cord is plugged into an active power source and to the access point's AC power adapter. Make sure these connections are secure. 2. Try power-cycling the access point by unplugging and plugging the power cord back in. 3. If the Power LED is still not on, verify that the AC power source works by plugging another device into the outlet. Or try plugging the access point into a different outlet or try a different power cord. <p>If the power source and power cord are OK and this condition persists, the access point's AC power adapter may have failed. Call your HP-authorized LAN dealer, or use the electronic support services from HP to get assistance. See the Customer Support/Warranty booklet for more information.</p>

Tip	Problem	Solution
2	The access point is not receiving power from the PoE source.	<ol style="list-style-type: none">1. Verify that access point's 10/100Base-TX port is attached to a PoE source device.2. Verify that the PoE source device is powered on, and that the PoE function has been administratively enabled on the source port attached to the access point.3. Refer to Tip 6 to verify that the network cable is functioning properly.
3	The access point has experienced a software failure during self test.	<ol style="list-style-type: none">1. Try resetting the access point by pressing the Reset button on the back of the access point, or by power cycling the access point.2. If the fault indication reoccurs, attach a console to the access point (as indicated in chapter 2). Then, reset the access point. Messages should appear on the console screen identifying the error condition. You can view the console log at that point using the web browser interface. Select the Status tab, then Events Log, or view the entry file on your Syslog server if one is configured. <p>If necessary to resolve the problem, contact your HP-authorized LAN dealer, or use the electronic support services from HP to get assistance. See the Customer Support/Warranty booklet for more information.</p>
4	Wireless link has been administratively disabled.	Verify that the wireless port has not been disabled through an access point configuration change. You can use the console interface, or, if you have configured an IP address on the access point, use the web browser interface to determine the state of the wireless port and re-enable the port if necessary. Also verify that the country code has been set.
5	The 10/100Base-TX network connection is not working properly.	Try the following procedures: <ul style="list-style-type: none">• Verify that both ends of the cabling, at the access point and the connected device, are connected properly.• Verify the connected device and access point are both powered <i>on</i> and operating correctly.• Verify duplex operation (see page 5-1).• If these procedures don't resolve the problem, try using a different cable.
6	The port may be improperly configured.	VLAN configuration may affect the port operation. Use the access point's console to see how the port is configured for VLANs. Make sure also, that the device at the other end of the connection is indicating a good link to the access point. If it is not, the problem may be with the cabling between the devices or the connectors on the cable.

Proactive Networking

The following interfaces provide tests, indicators, and an event log that can be used to monitor the access point and its network connections and to help you troubleshoot:

- A graphical web browser interface that you can use to manage your access point from a PC running a supported web browser, for example Microsoft Internet Explorer.

The Status tab can be used to display access point configuration settings, attached client station settings, and the event log.

- A full-featured easy-to-use console interface that you can access by connecting a standard terminal or PC running a terminal emulator to the access point's console port. (For information on the console port's pin assignments, see "Direct Console Access" on page 2-12.) The console interface is also accessible through a Telnet or Secure Shell connection. The **ping** command can test device access and connectivity. The **show** command at all levels of the CLI provides detailed access point configuration information.

Hardware Diagnostic Tests

Testing the Access Point by Resetting It

If you believe that the access point is not operating correctly, you can reset the access point to test its circuitry and operating code. To reset an access point, either

- Unplug and plug in the power cord (power-cycling).
- Press the Reset button on the back of the access point for just a second. If you are attached to the console port, you will see that the access point starts the power-on self test.

Caution

If you hold the reset button down for 5-10 seconds, you reset the board and reload the factory default settings. See “Restoring the Factory Default Configuration” on page 5-8.

Power-cycling the access point and pressing the Reset button both cause the access point to perform its power-on self test, which normally resolves any temporary operational problems. These reset processes also cause any network traffic counters to be reset to zero, and cause the System Up Time timer to reset to zero. Also, event log messages are erased, and the IP address may be changed if you are using DHCP.

Checking the Access Point's LEDs

The self test passes if the Power LED on the front of the access point stops blinking after approximately 50 seconds. If this LED continues blinking longer than 60 seconds or goes off, there may be a problem with the access point.

See “Diagnosing with the LEDs” on page 5-3 for information on interpreting the LED patterns.

Checking Event Messages

Useful diagnostic messages may be displayed on the console screen when the access point is reset. As described in chapter 2 under step 7, “Connect a console to the access point,” connect a PC running a VT-100 terminal emulator program or a standard VT-100 terminal to the access point's Console Port and configure it with the terminal communication settings shown on page 2-11.

Then, when you reset the access point, note the messages that are displayed. Additionally, you can check the access point's event log, which can be accessed from the web browser or a Syslog server.

Testing Twisted-Pair Cabling

Network cables that fail to provide a link or provide an unreliable link between the access point and the connected network device may not be compatible with the IEEE 802.3 Type 10Base-T, or 100Base-TX standards. The twisted-pair cables attached to the Access Point 420 must be compatible with the appropriate standards. To verify that your cable is compatible with these standards, use a qualified cable test device.

Testing Access Point-to-Device Network Communications

You can perform the following communication tests to verify that the network is operating correctly between the access point and any connected device that can respond correctly to the communication test.

- Ping Test – a network layer test used on IP networks that sends test packets to any device identified by its IP address

These tests can be performed through the access point's console interface from a terminal connected to the access point or through a Telnet or Secure Shell connection. For more information, see the *Management and Configuration Guide*, which is on the Documentation CD-ROM that came with your access point.

Testing End-to-End Network Communications

Both the access point and the cabling can be tested by running an end-to-end communications test – a test that sends known data from one network device to another through the access point. You can run a Ping test to verify that the entire communication path between the two network devices is functioning correctly.

Restoring the Factory Default Configuration

As part of your troubleshooting process on the Access Point 420, it may become necessary to return the access point's configuration to the factory default settings. This process momentarily interrupts the access point's operation, clears any passwords, clears the console event log, resets the network counters to zero, performs a complete self test, and reboots the access point into its factory default configuration including deleting the IP address, if one is configured.

Note

This process removes all access point configuration changes that you have made from the factory default settings. This includes, for example, IP addresses, and radio interface settings. Returning the configuration of these features to their factory default settings may result in network connectivity issues.

If the access point has a valid configuration, and you are restoring the factory default settings for a reason other than configuration problems, you should save the access point configuration prior to performing the factory default reset. Then, after the reset and resolution of the original problem, you can restore the saved configuration to the access point. For both the save and restore processes, you can use the console **copy** command. For more information on this command, see the *Management and Configuration Guide*, which is on the Documentation CD-ROM that came with your access point.

You can restore the factory default configuration either from the access point itself, or through the access point console.

Note

The Reset button and console port can be disabled by the access point's software. However, the Reset button and console port cannot be disabled at the same time. When the Reset button is disabled, it is not possible to disable the serial port. For more information, see the *Management and Configuration Guide*, which is on the Documentation CD-ROM that came with your access point.

To execute the factory default reset on the access point, perform these steps:

1. Using a pointed object, press and hold the Reset button on the back of the access point for 5-10 seconds. On the console display, the cursor will move down to the next line, indicating that the factory defaults have been reloaded.
2. Release the Reset button.

The access point will then complete its self test and begin operating with its configuration restored to the factory default settings.

To restore the factory default configuration using the console, execute the **reset configuration** command from the console command prompt.

Downloading New Access Point Software

When product enhancements occur for the Access Point 420, new software can be downloaded to the access point by several methods. For more information, see the *Management and Configuration Guide*, which is on the Documentation CD-ROM that came with your access point.

The new access point software is made available on the HP ProCurve web site, <http://www.hp.com/go/hpprocurve> under “product support – software upgrades.”

HP Customer Support Services

If you are still having trouble with your access point, Hewlett-Packard offers support 24 hours a day, seven days a week through the use of a number of automated electronic services. See the Customer Support/Warranty booklet that came with your access point for information on how to use these services to get technical support. The HP ProCurve web site, <http://www.hp.com/go/hpprocurve> also provides up-to-date support information under “product support.”

Additionally, your HP-authorized network reseller can provide you with assistance, both with services that they offer and with services offered by HP.

Before Calling Support

To make the support process most efficient, before calling your networking dealer or HP Support, you first should retrieve the following information:

Information Item	Information Location
<ul style="list-style-type: none">product identification	the front of the access point, Access Point 420 (HP J8130A or HP J8131A)
<ul style="list-style-type: none">details about the access point's status including the software (OS) version, a copy of the access point configuration, a copy of the access point Event Log, and a copy of the access point status and counters information	<ul style="list-style-type: none">access point console (Global Configuration Level): show commandaccess point web interface: Event LogSyslog server entry file, if configured

Information Item	Information Location
<ul style="list-style-type: none">• copy of your network topology map, including network addresses assigned to the relevant devices	your network records

— *This page is intentionally unused.* —

Specifications

Physical

Width:	21.83 cm (8.60 in)
Depth:	13.73 cm (5.40 in)
Height:	3.27 cm (1.29 in)
Weight:	0.80 kg (1.76 lbs)

Electrical

Adapter

AC voltage:	100-240 volts, 0.4A, 50/60 Hz
DC voltage:	3.3 volts, 4A
Power consumption:	13.2 watts

PoE (DC)

Input voltage:	-48 VDC, 0.15A, 7.2 watts
-----------------------	---------------------------

Note: Power can also be provided to the access point through the Ethernet port based on IEEE 802.3af Power over Ethernet (PoE) specifications. The access point is a Class 0 device, that is, the maximum power required is in the range of 0.44 to 12.95 watts. When both PoE is provided and the adapter is plugged in, PoE is turned off.

Environmental

	Operating	Non-Operating
Temperature:	0°C to 40°C (32°F to 104°F)	-40°C to 70°C (-40°F to 158°F)
Relative humidity: (non-condensing)	15% to 95% at 40°C (104°F)	90% maximum at 65°C (149°F)
Maximum altitude:	4.6 Km (15,000 ft)	4.6 Km (15,000 ft)

Connectors

- The 10/100 Mbps RJ-45 twisted-pair port is compatible with the IEEE 802.3u 100Base-TX and IEEE 802.3 Type 10Base-T standards.

Note: To provide Power over Ethernet to the access point, all 4 pairs of wires must be connected for any network cable attached to this port.

Safety

Complies with:

- LVD/EN 60950

EMC Compliance (Class B)

Complies with:

- FCC Part 15.107
- ICES-003 (Canada)
- VCCI

Radio Signal Certification

Complies with:

- FCC Part 15.247 (2.4GHz)
- RSS-210 (Canada)
- EN 300.328
- MPT RCR std.33 (D33 1~13 Channel, T66 Channel 14)

Immunity

- EN 301.489-1
- EN 301.489-17

Wireless

Radio Standard:	IEEE 802.11b/g
Radio Technology:	Direct Sequence Spread Spectrum (DSSS), Orthogonal Frequency Division Multiplexing (OFDM)
Data Rate:	1, 2, 5.5, 6, 9, 11, 12, 18, 24, 36, 48, 54 Mbps per channel
Operating Frequency:	2.4 ~ 2.4835 GHz (US, Canada, ETSI) 2.4 ~ 2.497 GHz (Japan)
Maximum Channels:	FCC/IC: 1-11, ETSI: 1-13, MKK: 1-13 (802.11g), 1-14 (802.11b)
Modulation Type:	BPSK, QPSK, 16QAM, 64QAM / OFDM, BPSK, QPSK, CCK / DSSS
Media Access Protocol:	CSMA/CA with ACK
Operating Range:	Up to 350 m (1148 ft)
Transmit Output Power:	18 dBm

Receiver Sensitivity

Data Rate (Mbps)	Typical Receiver Sensitivity (dBm) at 25C
1	-93
11	-87
54	-70

— *This page is intentionally unused.* —

Access Point Port and Network Cables

This appendix includes access point connector information and network cable information for cables that should be used with the Access Point 420, including minimum pin-out information and specifications for twisted-pair cables.

Note

Incorrectly wired cabling is the most common cause of problems for LAN communications. HP recommends that you work with a qualified LAN cable installer for assistance with your cabling requirements.

Access Point Ports

The fixed RJ-45 10/100Base-TX port on the access point accepts 100-ohm unshielded and shielded twisted-pair cable with RJ-45 connectors as described on the next page.

Twisted-Pair Cables

10 Mbps Operation	Category 3, 4, or 5 100-ohm unshielded twisted-pair (UTP) or shielded twisted-pair (STP) cable, complying with IEEE 802.3 Type 10Base-T specifications, fitted with RJ-45 connectors
100 Mbps Operation	Category 5 100-ohm UTP or STP cable, complying with IEEE 802.3u 100Base-TX specifications, fitted with RJ-45 connectors

Twisted-Pair Cable/Connector Pin-Outs

The access point includes one 10/100Base-TX port. This port uses MDI (i.e., internal straight-through) pin configuration. You can therefore use “straight-through” twisted-pair cable to connect this port to most network interconnection devices such as a switch or a router that provide MDI-X ports. However, if you need to connect the access point to a workstation or other device that only has MDI ports, then use “crossover” twisted-pair cable.

Ports on most HP switches have the “HP Auto MDIX” feature, which means that you can use either straight-through or crossover twisted-pair cables to connect the access point to the switch.

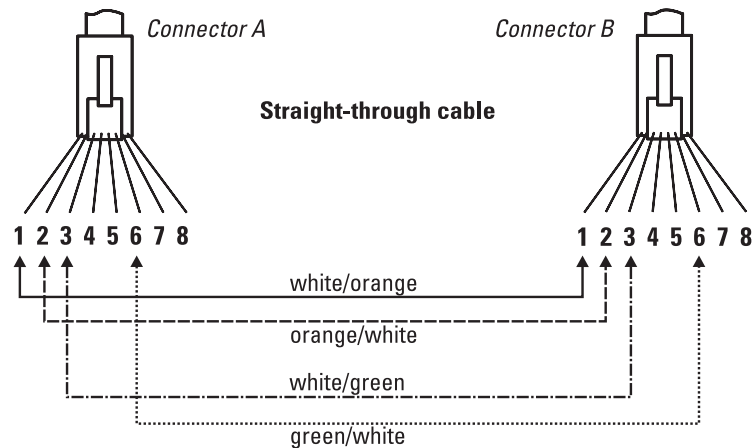
Other Wiring Rules:

- All twisted-pair wires used for 10 Mbps, and 100 Mbps operation must be twisted through the entire length of the cable. The wiring sequence must conform to EIA/TIA 568-B (not USOC). See “Twisted-Pair Cable Pin Assignments” later in this appendix for a listing of the signals used on each pin.
- For 10 Mbps connections to the ports, you can use Category 3, 4, or 5 unshielded twisted-pair cable, as supported by the IEEE 802.3 Type 10Base-T standard.
- For 100 Mbps connections to the ports, use 100-ohm Category 5 UTP or STP cable only, as supported by the IEEE 802.3u Type 100Base-TX standard.
- To provide Power over Ethernet to the access point, all 4 pairs must be connected for any network cable attached to this port; the cable must meet ISO/DIS 11801 Class D requirements and IEEE 802.3af requirements.

Straight-Through Twisted-Pair Cable for 10 Mbps or 100 Mbps Network Connections

Because the 10/100 port on the access point uses an MDI pin configuration, you must use “straight-through” cable for network connections to hubs or switches that only have MDI-X ports. However, if the device to which you are connecting supports auto-MDIX operation, you can use either “straight-through” or “crossover” cable.

Cable Diagram



Note

Pins 1 and 2 on connector “A” *must* be wired as a twisted pair to pins 1 and 2 on connector “B”.
Pins 3 and 6 on connector “A” *must* be wired as a twisted pair to pins 3 and 6 on connector “B”.
Pins 4, 5, 7, and 8 are not used for transmitting or receiving data, although they must be wired straight-through in the cable to support Power over Ethernet.

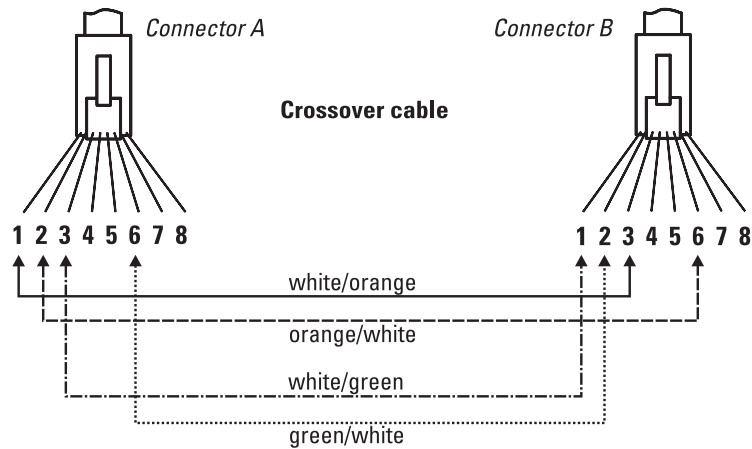
Pin Assignments

Access Point End (MDI)		Hub or Switch Port, or Other MDI-X Port End	
Signal	Pins	Pins	Signal
receive +	1	1	transmit +
receive -	2	2	transmit -
transmit +	3	3	receive +
transmit -	6	6	receive -

Crossover Twisted-Pair Cable for 10 Mbps or 100 Mbps Network Connection

Because the 10/100 port on the access point uses an MDI pin configuration, you must use “crossover” cable for network connections to PCs, servers or other end nodes that only have MDI ports. However, if the device to which you are connecting supports auto-MDIX operation, you can use either “straight-through” or “crossover” cable.

Cable Diagram



Note

Pins 1 and 2 on connector “A” *must* be wired as a twisted pair to pins 3 and 6 on connector “B”.
Pins 3 and 6 on connector “A” *must* be wired as a twisted pair to pins 1 and 2 on connector “B”.
Pins 4, 5, 7, and 8 are not used for transmitting or receiving data, although they must be wired straight-through in the cable to support Power over Ethernet.

Pin Assignments

Access Point End (MDI)		Computer, Transceiver, or Other MDI Port End	
Signal	Pins	Pins	Signal
receive +	1	6	transmit -
receive -	2	3	transmit +
transmit +	3	2	receive -
transmit -	6	1	receive +

Safety and EMC Regulatory Statements

Safety Information



Documentation reference symbol. If the product is marked with this symbol, refer to the product documentation to get more information about the product.

WARNING

A **WARNING** in the manual denotes a hazard that can cause injury or death.

CAUTION

A **CAUTION** in the manual denotes a hazard that can damage equipment.

Do not proceed beyond a **WARNING** or **CAUTION** notice until you have understood the hazardous conditions and have taken appropriate steps.

Grounding

This product is a safety class I compliant product and has a protective earthing terminal. There must be an uninterruptible safety earth ground from the main power source to the product's power cord or supplied power cord set. Whenever it is likely that the protection has been impaired, disconnect the power cord until the ground has been restored..

For LAN cable grounding:

- If your LAN covers an area served by more than one power distribution system, be sure their safety grounds are securely interconnected.
- LAN cables may occasionally be subject to hazardous transient voltages (such as lightning or disturbances in the electrical utilities power grid). Handle exposed metal components of the network with caution.

Servicing

There are no user-serviceable parts inside this product. Any servicing, adjustment, maintenance, or repair must be performed only by service-trained personnel.

This product does not have a power switch; it is powered on when the power cord is plugged in.

Regulatory Model Identification Number

For regulatory identification purposes, this product has been assigned a Regulatory Model Number (RMN). The RMN for your product is RSVLC-0301. The RMN should not be confused with the marketing name (Wireless Enterprise Access Point 420) or the Product Number (J8130A, J8131A).

Informations concernant la sécurité



Symbole de référence à la documentation. Si le produit est marqué de ce symbole, reportez-vous à la documentation du produit afin d'obtenir des informations plus détaillées.

WARNING

Dans la documentation, un WARNING indique un danger susceptible d'entraîner des dommages corporels ou la mort.

CAUTION

Un texte de mise en garde intitulé CAUTION indique un danger susceptible de causer des dommages à l'équipement.

Ne continuez pas au-delà d'une rubrique WARNING ou CAUTION avant d'avoir bien compris les conditions présentant un danger et pris les mesures appropriées.

Cet appareil est un produit de classe I et possède une borne de mise à la terre. La source d'alimentation principale doit être munie d'une prise de terre de sécurité installée aux bornes du câblage d'entrée, sur le cordon d'alimentation ou le cordon de raccordement fourni avec le produit. Lorsque cette protection semble avoir été endommagée, débrancher le cordon d'alimentation jusqu'à ce que la mise à la terre ait été réparée.

Mise à la terre du câble de réseau local:

- si votre réseau local s'étend sur une zone desservie par plus d'un système de distribution de puissance, assurez-vous que les prises de terre de sécurité soient convenablement interconnectées.
- Les câbles de réseaux locaux peuvent occasionnellement être soumis à des surtensions transitoires dangereuses (telles que la foudre ou des perturbations dans le réseau d'alimentation public). Manipulez les composants métalliques du réseau avec précautions.

Aucune pièce contenue à l'intérieur de ce produit ne peut être réparée par l'utilisateur. Tout dépannage, réglage, entretien ou réparation devra être confié exclusivement à un personnel qualifié.

Cet appareil ne comporte pas de commutateur principal ; la mise sous tension est effectuée par branchement du cordon d'alimentation.

Hinweise zur Sicherheit



Symbol für Dokumentationsverweis. Wenn das Produkt mit diesem Symbol markiert ist, schlagen Sie bitte in der Produktdokumentation nach, um mehr Informationen über das Produkt zu erhalten.

WARNING

Eine WARNING in der Dokumentation symbolisiert eine Gefahr, die Verletzungen oder sogar Todesfälle verursachen kann.

CAUTION

CAUTION in der Dokumentation symbolisiert eine Gefahr, die das Gerät beschädigen kann.

Fahren Sie nach dem Hinweis WARNING oder CAUTION erst fort, nachdem Sie den Gefahrenzustand verstanden und die entsprechenden Maßnahmen ergriffen haben.

Dies ist ein Gerät der Sicherheitsklasse I und verfügt über einen schützenden Erdungsterminal. Der Betrieb des Geräts erfordert eine ununterbrochene Sicherheitserdung von der Hauptstromquelle zu den Geräteingabeterminals, den Netzkabeln oder dem mit Strom belieferten Netzkabelsatz voraus. Sobald Grund zur Annahme besteht, daß der Schutz beeinträchtigt worden ist, das Netzkabel aus der Wandsteckdose herausziehen, bis die Erdung wiederhergestellt ist.

Für LAN-Kabelerdung:

- Wenn Ihr LAN ein Gebiet umfaßt, das von mehr als einem Stromverteilungssystem beliefert wird, müssen Sie sich vergewissern, daß die Sicherheitserdungen fest untereinander verbunden sind.
- LAN-Kabel können gelegentlich gefährlichen Übergangsspannungen ausgesetzt werden (beispielsweise durch Blitz oder Störungen in dem Starkstromnetz des Elektrizitätswerks). Bei der Handhabung exponierter Metallbestandteile des Netzwerkes Vorsicht walten lassen.

Dieses Gerät enthält innen keine durch den Benutzer zu wartenden Teile. Wartungs-, Anpassungs-, Instandhaltungs- oder Reparaturarbeiten dürfen nur von geschultem Bedienungspersonal durchgeführt werden.

Dieses Gerät hat keinen Netzschalter; es wird beim Anschließen des Netzkabels eingeschaltet.

Considerazioni sulla sicurezza



Simbolo di riferimento alla documentazione. Se il prodotto è contrassegnato da questo simbolo, fare riferimento alla documentazione sul prodotto per ulteriori informazioni su di esso.

WARNING

La dicitura WARNINGdenota un pericolo che può causare lesioni o morte.

CAUTION

La dicituraCAUTION denota un pericolo che può danneggiare le attrezzature.

Non procedere oltre un avviso di WARNING o di CAUTIONprima di aver compreso le condizioni di rischio e aver provveduto alle misure del caso.

Questo prodotto è omologato nella classe di sicurezza I ed ha un terminale protettivo di collegamento a terra. Dev'essere installato un collegamento a terra di sicurezza, non interrompibile che vada dalla fonte d'alimentazione principale ai terminali d'entrata, al cavo d'alimentazione oppure al set cavo d'alimentazione fornito con il prodotto. Ogniqualvolta vi sia probabilità di danneggiamento della protezione, disinserite il cavo d'alimentazione fino a quando il collegaento a terra non sia stato ripristinato.

Per la messa a terra dei cavi LAN:

- se la vostra LAN copre un'area servita da più di un sistema di distribuzione elettrica, accertatevi che i collegamenti a terra di sicurezza siano ben collegati fra loro;
- i cavi LAN possono occasionalmente andare soggetti a pericolose tensioni transitorie (ad esempio, provocate da lampi o disturbi nella griglia d'alimentazione della società elettrica); siate cauti nel toccare parti esposte in metallo della rete.

Nessun componente di questo prodotto può essere riparato dall'utente. Qualsiasi lavoro di riparazione, messa a punto, manutenzione o assistenza va effettuato esclusivamente da personale specializzato.

Questo apparato non possiede un commutatore principale; si mette scotto tensione all'inserirsi il cavo d'alimentazione.

Consideraciones sobre seguridad



WARNING

Símbolo de referencia a la documentación. Si el producto va marcado con este símbolo, consultar la documentación del producto a fin de obtener mayor información sobre el producto.

CAUTION

Una WARNING en la documentación señala un riesgo que podría resultar en lesiones o la muerte.

Una CAUTION en la documentación señala un riesgo que podría resultar en averías al equipo.

No proseguir después de un símbolo de WARNING o CAUTION hasta no haber entendido las condiciones peligrosas y haber tomado las medidas apropiadas.

Este aparato se enmarca dentro de la clase I de seguridad y se encuentra protegido por una borna de puesta a tierra. Es preciso que exista una puesta a tierra continua desde la toma de alimentación eléctrica hasta las bornas de los cables de entrada del aparato, el cable de alimentación o el juego de cable de alimentación suministrado. Si existe la probabilidad de que la protección a tierra haya sufrido desperfectos, desenchufar el cable de alimentación hasta haberse subsanado el problema.

Puesta a tierra del cable de la red local (LAN):

- Si la LAN abarca un área cuyo suministro eléctrico proviene de más de una red de distribución de electricidad, cerciorarse de que las puestas a tierra estén conectadas entre sí de modo seguro.
- Es posible que los cables de la LAN se vean sometidos de vez en cuando a voltajes momentáneos que entrañen peligro (rayos o alteraciones en la red de energía eléctrica). Manejar con precaución los componentes de metal de la LAN que estén al descubierto.

Este aparato no contiene pieza alguna susceptible de reparación por parte del usuario. Todas las reparaciones, ajustes o servicio de mantenimiento debe realizarlos solamente el técnico.

Este producto no tiene interruptor de potencia; se activa cuando se enchufa el cable de alimentación.

Safety Information (Japan)

安全性の考慮

安全記号



マニュアル参照記号。製品にこの記号がついている場合はマニュアルを参照し、注意事項等をご確認ください。

WARNING マニュアル中の「WARNING」は人身事故の原因となる危険を示します。

CAUTION マニュアル中の「CAUTION」は装置破損の原因となる危険を示します。

「WARNING」や「CAUTION」の項は飛ばさないで必ずお読みください。危険性に関する記載事項をよく読み、正しい手順に従った上で次の事項に進んでください。

これは安全性クラス I の製品で保護用接地端子を備えています。主電源から製品の入力配線端子、電源コード、または添付の電源コード・セットまでの間、切れ目のない安全接地が存在することが必要です。もしこの保護回路が損なわれたことが推測されるときは、接地が修復されるまで電源コードを外しておいてください。

LAN ケーブルの接地に関して:

- もし貴社の LAN が複数の配電システムにより電力を受けている領域をカバーしている場合には、それらのシステムの安全接地が確実に相互に結合されていることを確認してください。
- LAN ケーブルは時として危険な過度電圧（例えば雷や、配電設備の電力網での障害）にさらされることがあります。露出した金属部分の取扱いには十分な注意をはらってください。

本製品の内部にはユーザーが修理できる部品はありません。サービス、調整、保守および修理はサービス訓練を受けた専門家におまかせください。

本製品には電源スイッチがありません。電源コードを接続したとき電源入となります。

Safety Information (China)

HP 网络产品使用安全手册

使用须知

欢迎使用惠普网络产品，为了您及仪器的安全，请您务必注意如下事项：

1. 仪器要和地线相接，要使用有正确接地插头的电源线，使用中国国家规定的220V电源。
2. 避免高温和尘土多的地方，否则易引起仪器内部部件的损坏。
3. 避免接近高温，避免接近直接热源，如直射太阳光、暖气等其它发热体。
4. 不要有异物或液体落入机内，以免部件短路。
5. 不要将磁体放置于仪器附近。

警告

为防止火灾或触电事故，请不要将该机放置于淋雨或潮湿处。

安装

安装辅助管理模块，请参看安装指南。

保修及技术支持

如果您按照以上步骤操作时遇到了困难，或想了解其它产品性能，请按以下方式与我们联系。

如是硬件故障：

1. 与售出单位或当地维修机构联系。
2. 中国惠普有限公司维修中心地址：
北京市海淀区知春路49号希格玛大厦
联系电话：010-62623888 转 6101
邮政编码：100080

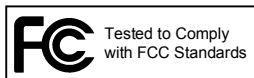
如是软件问题：

1. 惠普用户响应中心热线电话：010-65645959
2. 传真自动回复系统：010-65645735

EMC Regulatory Statements

Notice for U.S.A.

Manufacturer's FCC Declaration of Conformity Statement



Product No: J8130A
FCC ID No: HEDWA4101ACCAA
Manufacturer: Hewlett-Packard Company
3000 Hanover Street
Palo Alto, CA 94304-1185 USA
Phone: 650-857-1501

For questions regarding this declaration, contact the Product Regulations Manager at the above address or phone number.

This device complies with Part 15 of the FCC rules. Operation is subject to the following two conditions: 1) this device may not cause harmful interference, and 2) this device must accept any interference received, including interference that may cause undesired operation.

This equipment has been tested and found to comply with the limits for a Class B digital device, pursuant to Part 15 of the FCC Rules. These limits are designed to provide reasonable protection against harmful interference in a residential installation. This equipment generates, uses and can radiate radio frequency energy and, if not installed and used in accordance with instructions, may cause harmful interference to radio communications. However, there is no guarantee that the interference will not occur in a particular installation. If this equipment does cause harmful interference to radio or television reception, which can be determined by turning the equipment off and on, the user is encouraged to try to correct the interference by one or more of the following measures:

- Reorient the receiving antenna
- Increase the separation between the equipment and receiver
- Connect the equipment into an outlet on a circuit different from that to which the receiver is connected
- Consult the dealer or an experienced radio/TV technician for help

The FCC requires the user to be notified that any changes or modifications made to the device that are not expressly approved by the Hewlett-Packard Company may void the user's authority to operate the equipment.



Warning: Exposure to Radio Frequency Radiation

The radiated output power of this device is below the FCC radio exposure limits. Nevertheless, the device should be used in such a manner that the potential for human contact during normal operation is minimized. To avoid the possibility of exceeding the FCC radio frequency exposure limits, human proximity to the antennas should not be less than 20 cm (8 inches) during normal operation.

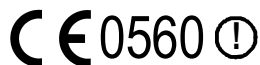
Notice for Canada

This device complies with the limits for a Class B digital device and conforms to Industry Canada standard ICES-003. Products that contain a radio transmitter comply with Industry Canada standard RSS210 and are labeled with an IC approval number.

Cet appareil numérique de la classe B est conforme à la norme ICES-003 de Industry Canada. La radio sans fil de ce dispositif est conforme à la certification RSS 210 de Industry Canada et est étiquetée avec un numéro d'approbation IC.

This device complies with the Class B limits of Industry Canada. Operation is subject to the following two conditions: 1) this device may not cause harmful interference, and 2) this device must accept interference received, including interference that may cause undesired operation.

Notice for European Community



This device complies with the EMC Directive 89/336/EEC, Low Voltage Directive 73/23/EEC and R&TTE Directive 1999/5/EC. Compliance with these directives implies conformity to the following European Norms:

- EN 55022 (CISPR 22) - Electromagnetic Emissions
- EN 55024 (IEC 61000-4-2, 3, 4, 5, 6, 8, 11) - Electromagnetic Immunity
- EN 61000-3-2 (IEC 61000-3-2) - Power Line Harmonics
- EN 61000-3-3 (IEC 61000-3-3) - Power Line Flicker
- EN 60950 (IEC 60950) - Product Safety
- EN 300 328-1 / EN 300 328-2 - Technical requirements for 2.4 GHz radio equipment
- EN 301 489-1 / EN 301 489-17 - General EMC requirements for radio equipment

EU country restriction notices


This device may be used in the following EU and EFTA countries:

- Austria
- Belgium
- Denmark
- Finland
- France¹
- Germany
- Greece
- Iceland
- Ireland
- Italy
- Liechtenstein
- Luxembourg
- Netherlands
- Norway
- Portugal
- Sweden
- Switzerland
- United Kingdom

Notes:

1. For normal wireless LAN operation of this device, only a limited band is available for operation in France (Channels 10, 11, 12, and 13). L'Autorité de régulation des telecommunications (ART) has special regulations for hotspots allowing other channels, too. Please check with ART (<http://www.art-telecom.fr>) for local rulings and authorization.
2. For up-to-date information on worldwide country authorizations, power levels and usage restrictions, please visit <http://www.hp.com/go/hpprocurve>. Click on technical support, then manuals. Select your wireless product and open the document *Wireless Radio Country Approvals Matrix*.

EU Declaration of Conformity

DECLARATION OF CONFORMITY according to ISO/IEC Guide 22 and EN 45014	
Manufacturer's Name:	Hewlett-Packard Company
Manufacturer's Address:	8000 Foothills Blvd. Roseville, CA 95747-5502 U.S.A.
declares, that the product	
Product Name:	HP Procurve Wireless Access Point 420
Product Number(s):	J8131A
Regulatory Model:	RSVLC-0301
conforms to the following Product Specifications:	
Safety:	EN 60950:2000 / IEC 60950:1999
Health:	EU 1999/519/EC
EMC:	EN 55022:1998 +A1 / CISPR 22:1997 +A1 Class B ¹ EN 55024:1998 +A1 / CISPR 24:1997 +A1 EN 301 489-1 V1.4.1 (2002-08) EN 301 489-17 V1.2.1 (2002-08) EN 61000-3-2:2000 / IEC 61000-3-2:2000 EN 61000-3-3:1995 +A1 / IEC 61000-3-3:1994 +A1
Radio:	EN 300 328-1 V1.3.1 (2001-12) EN 300 328-2 V1.2.1 (2001-12)
Supplementary Information:	
The product herewith complies with the requirements of the Low Voltage Directive 73/23/EEC, the EMC Directive 89/336/EEC and the R&TTE Directive 1999/5/EC and carries the CE marking accordingly.	
1) The Product was tested in a typical configuration with a laptop computer.	
Roseville, August 6, 2003	 Mike Avery, Regulatory Engineering Mgr.
European Contact: Your local Hewlett-Packard Sales and Service Office or Hewlett-Packard GmbH, Department HQ-TRE, Herrenberger Straße 140, D-71034 Böblingen (FAX: + 49-7031-14-3143)	

Notice for Japan

この機器の使用周波数帯では、電子レンジ等の産業・科学・医療用機器のほか工場の製造ライン等で使用されている移動体識別用の構内無線局（免許を要する無線局）及び特定小電力無線局（免許を要しない無線局）が運用されています。

1 この機器を使用する前に、近くで移動体識別用の構内無線局及び特定小電力無線局が運用されていないことを確認して下さい。

2 万一、この機器から移動体識別用の構内無線局に対して電波干渉の事例が発生した場合には、速やかに使用周波数を変更するか又は電波の発射を停止した上、下記連絡先にご連絡頂き、混信回避のための処置等（例えば、パーティションの設置など）についてご相談して下さい。

3 その他、この機器から移動体識別用の特定小電力無線局に対して電波干渉の事例が発生した場合など何かお困りのことが起きたときは、次の連絡先へお問い合わせ下さい。

連絡先：日本ヒューレット・パッカード株式会社 TEL：0120-014121

この装置は、情報処理装置等電波障害自主規制協議会（VCCI）の基準に基づくクラスB情報技術装置です。この装置は、家庭環境で使用することを目的としていますが、この装置がラジオやテレビジョン受信機に近接して使用されると受信障害を引き起こすことがあります。

取り扱い説明書に従って正しい取り扱いをして下さい。

— *This page is intentionally unused.* —

Index

Numerics

- 10/100Base-TX
 - connections, length limitations ... 2-4
 - ports, cables used with ... 2-4
- 10/100Base-TX port
 - location on access point ... 1-5
- 10/100-T LED ... 1-4
 - behaviors ... 1-4

A

- access point
 - connecting to a power source ... 2-9
 - description ... 1-1
 - downloading new software ... 5-10
 - electrical specifications ... A-1
 - emissions specifications ... A-2
 - environmental specifications ... A-1
 - external antenna options ... 4-2
 - features ... 1-8
 - included parts ... 2-1
 - LED descriptions ... 1-4
 - mounting on a wall ... 2-7
 - mounting on horizontal surface ... 2-9
 - physical specifications ... A-1
 - top panel description ... 1-3
- access point operation
 - verifying after installation ... 2-5
- antennas
 - external options ... 4-2
 - location on access point ... 1-5
- auto MDI/MDI-X operation ... B-3

B

- back of access point
 - 10/100Base-TX port ... 1-5
 - console port ... 1-6
 - description ... 1-5
 - lock ... 1-5
 - network port ... 1-6
 - power connector ... 1-6
- basic access point configuration
 - command line interface ... 3-2

- basic troubleshooting tips ... 5-1
- blinking LEDs
 - error indications ... 5-3
- buttons
 - Reset button ... 1-7

C

- cables
 - 10/100Base-TX connections ... 2-4
 - connecting cables to the access point port ... 2-10
 - effects of non-standard cables ... 5-2
 - infrastructure requirements ... 2-4
 - length limitations ... 2-4
 - required types ... 2-4, 4-2
 - serial, for direct console connection ... 2-12
- cables, twisted pair
 - access point-to-computer connection ... B-3
 - access point-to-switch or hub connection ... B-4
 - category 3, 4, 5 ... B-2
 - cross-over cable pin-out ... B-4
 - MDI-X to MDI connections ... B-3
 - MDI-X to MDI-X connections ... B-4
 - pin-outs ... B-3
 - straight-through cable pin-out ... B-3
- cables, twisted-pair
 - wiring rules ... B-2
- cables, twisted-pair connector pin-outs ... B-2
- cabling infrastructure ... 2-4
- CLI prompt, console
 - displaying ... 2-13
- command line interface
 - key command descriptions ... 3-7
- configuration
 - command line interface ... 3-2
 - DHCP ... 3-2
 - IP address, manually ... 3-2
 - restoring factory defaults ... 5-8
- connecting the access point to a power source ... 2-9
- connector specifications ... A-2

- console
 - checking messages during troubleshooting ... 5-6
 - command line interface ... 3-2
 - displaying the CLI prompt ... 2-13
 - features ... 2-11
 - how to connect in-band ... 2-11
 - how to connect out-of-band ... 2-11
 - serial cable connection ... 2-12
 - SSH access ... 3-10
 - Telnet access ... 3-9
 - terminal configuration ... 2-11
- console port
 - location on access point ... 1-5–1-6
- cross-over cable
 - pin-out ... B-4
- D**
- DC power connector
 - location on back of access point ... 1-5
- description
 - access point ... 1-1
 - back of access point ... 1-5
 - LEDs ... 1-4
 - top of access point ... 1-3
- DHCP
 - automatic access point configuration ... 3-2
 - for in-band access ... 2-11
- diagnostic tests ... 5-6
 - checking the console messages ... 5-6
 - checking the LEDs ... 5-6
 - end-to-end connectivity ... 5-7
 - testing the access point only ... 5-6
 - testing twisted-pair cabling ... 5-7
- downloading new access point software ... 5-10
- E**
- electrical specifications, access point ... A-1
- EMC regulatory statements ... C-9
- emissions specifications, access point ... A-2
- environmental specifications, access point ... A-1
- external antenna options ... 4-2
- F**
- factory default configuration, restoring ... 5-8
- features
 - access point ... 1-8
 - console ... 2-11
- front of access point
 - Reset button ... 1-7
- full-duplex fixed configuration
 - effects on network connections ... 5-1
- H**
- horizontal surface
 - mounting access point on ... 2-9
- I**
- in-band ... 3-1
- in-band console access
 - types of ... 2-11
- included parts ... 2-1
- installation
 - connecting the access point to a power source ... 2-9
 - horizontal surface mounting ... 2-9
 - location considerations ... 2-4, 4-3
 - network cable requirements ... 2-4
 - precautions ... 2-3
 - site preparation ... 2-4
 - summary of steps ... 2-2
 - wall mounting ... 2-7
- L**
- LEDs
 - 10/100-T ... 1-4
 - behavior during self test ... 2-6
 - blinking definition ... 1-4
 - checking during troubleshooting ... 5-6
 - descriptions of ... 1-4
 - error indications ... 5-3
 - location on access point ... 1-3
 - on access point ... 1-4
 - Power ... 1-4
 - behavior during self test ... 2-6
 - Self Test
 - behavior during self test ... 2-6
 - Wireless ... 1-4
- length limitations
 - 10/100Base-TX connections ... 2-4

location for the access point, considerations ... 2-4,
4-3

lock

location on access point ... 1-5

M

MDI-X to MDI network cable ... B-3

MDI-X to MDI-X network cable ... B-4

mounting the access point

on a horizontal surface ... 2-9

on a wall ... 2-7

precautions ... 2-7

N

network cables

10/100Base-TX connections ... 2-4

required types ... 2-4

twisted-pair connector pin-outs ... B-2

twisted-pair, wiring rules ... B-2

network devices

connecting to the access point ... 2-10

network ports

connecting to ... 2-10

location on access point ... 1-6

standards compliance ... A-2

types of ... 2-4, 4-2

non-standard network cables, effects ... 5-2

O

out-of-band console access ... 3-9

P

parts, included with the access point ... 2-1

passwords

deleting with the Reset button ... 3-8

if you lose the password ... 3-8

physical specifications, access point ... A-1

Ping test ... 5-7

pin-outs

twisted-pair cables ... B-2

PoE power connector

location on back of access point ... 1-5

port LEDs

normal operation ... 2-6

ports

10/100Base-TX, location on access point ... 1-5

connecting to ... 2-10

console ... 2-11

network connections ... 2-10

power connector ... 1-6

Power LED ... 1-4

behavior during factory default reset ... 5-9

behavior during self test ... 2-6

behaviors ... 1-4

location on access point ... 1-3

power source

connecting the access point to ... 2-9

precautions

mounting the access point ... 2-3

power requirements ... 2-3

preparing the installation site ... 2-4

Proactive Network tools

diagnostics with ... 5-5

R

regulatory statements ... C-9

Reset button

description ... 1-7

location on access point ... 1-7

to delete password protection ... 3-8

resetting the access point

factory default reset ... 5-8

location of Reset button ... 1-7

troubleshooting procedure ... 5-6

S

safety and regulatory statements ... C-1

safety specifications ... A-2

self test

LED behavior during ... 2-6

Power LED behavior ... 2-6

Self Test LED

behavior during self test ... 2-6

serial cable

for direct console connection ... 2-12

sides of access point

antennas ... 1-5

- specifications
 - connectors ... A-2
 - electrical ... A-1
 - emissions ... A-2
 - environmental ... A-1
 - physical ... A-1
 - safety ... A-2
 - wireless ... A-3
- SSH access to the console ... 3-10
- straight-through cable
 - pin-out ... B-3
- summary
 - of access point installation ... 2-2
 - of cables used with the access point ... 2-4, 4-2

T

- Telnet access to the console ... 3-9
- terminal configuration ... 2-11
- testing
 - access point operation ... 5-6
 - access point-to-device communications ... 5-7
 - checking the console messages ... 5-6
 - checking the LEDs ... 5-6
 - diagnostic tests ... 5-6
 - end-to-end communications ... 5-7
 - Ping test ... 5-7
 - twisted-pair cabling ... 5-7
- tips for troubleshooting ... 5-1
- top of access point ... 1-3
 - description ... 1-3
 - LEDs ... 1-4
- topologies
 - effects of improper topology ... 5-2
 - samples of ... 2-14

- troubleshooting ... 5-1
 - basic tips ... 5-1
 - checking the console messages ... 5-6
 - checking the LEDs ... 5-6
 - common network problems ... 5-1
 - connecting to fixed full-duplex devices ... 5-1
 - diagnostic tests ... 5-6
 - effects of improper topology ... 5-2
 - effects of non-standard cables ... 5-2
 - Ping test ... 5-7
 - Proactive Network tools ... 5-5
 - restoring factory default configuration ... 5-8
 - testing connections to other devices ... 5-7
 - testing end-to-end communications ... 5-7
 - testing the access point ... 5-6
 - testing the twisted-pair cables ... 5-7

- twisted-pair cable
 - access point-to-computer connection ... B-3
 - access point-to-switch or hub connection ... B-4
 - cross-over cable pin-out ... B-4
 - pin-outs ... B-2–B-3
 - straight-through cable pin-out ... B-3
 - testing ... 5-7

V

- VCCI compliance ... C-13
- VT-100 terminal
 - serial cable connection for ... 2-12

W

- wall
 - mounting access point on ... 2-7
- warranty ... 1-ii
- wireless infrastructure
 - topology with ... 2-15
- wireless infrastructure for roaming clients
 - topology with ... 2-16
- Wireless LED ... 1-4
 - behaviors ... 1-4
- wireless specifications ... A-3
- wiring rules for twisted-pair cables ... B-2



Technical information in this document
is subject to change without notice.

©Copyright 2002, 2005
Hewlett-Packard Development Company, L.P.
Reproduction, adaptation, or translation
without prior written permission is prohibited
except as allowed under the copyright laws.

Printed in Taiwan
June 2005

Manual Part Number
5990-6005

