



# Release Notes:

## Version E.05.04 Operating System

*for the HP Procurve Series 5300XL Switches*

---

Release E.05.04 is the first software release for these switches:

- HP Procurve Switch 5304XL (J4850A)
- HP Procurve Switch 5308XL (J4819A)

These release notes include information on the following:

- Downloading switch software and Documentation from the Web
- Software features available in release E.05.04 (and greater)
- Clarification of operating details for certain software features

**© Copyright 2001-2002 Hewlett-Packard Company  
All Rights Reserved.**

This document contains information which is protected by copyright. Reproduction, adaptation, or translation without prior permission is prohibited, except as allowed under the copyright laws.

**Publication Number**

5990-3038  
May 2002  
Edition 2

**Applicable Product**

HP Procurve Switch 5304XL (J4850A)  
HP Procurve Switch 5308XL (J4819A)

**Trademark Credits**

Microsoft, Windows, Windows 95, and Microsoft Windows NT are registered trademarks of Microsoft Corporation. Internet Explorer is a trademark of Microsoft Corporation. Ethernet is a registered trademark of Xerox Corporation. Cisco® and EtherChannel® are trademarks of Cisco Systems, Inc. Adobe® and Acrobat® are trademarks of Adobe Systems, Inc.

**Software Credits**

SSH on HP Procurve Switches is based on the OpenSSH software toolkit. For more information on OpenSSH, visit <http://www.openssh.com>.

**Disclaimer**

The information contained in this document is subject to change without notice.

HEWLETT-PACKARD COMPANY MAKES NO WARRANTY OF ANY KIND WITH REGARD TO THIS MATERIAL, INCLUDING, BUT NOT LIMITED TO, THE IMPLIED WARRANTIES OF MERCHANTABILITY AND FITNESS FOR A PARTICULAR PURPOSE. Hewlett-Packard shall not be liable for errors contained herein or for incidental or consequential damages in connection with the furnishing, performance, or use of this material.

Hewlett-Packard assumes no responsibility for the use or reliability of its software on equipment that is not furnished by Hewlett-Packard.

**Warranty**

See the Customer Support/Warranty booklet included with the product.

A copy of the specific warranty terms applicable to your Hewlett-Packard products and replacement parts can be obtained from your HP Sales and Service Office or authorized dealer.

Hewlett-Packard Company  
8000 Foothills Boulevard, m/s 5552  
Roseville, California 95747-5552  
<http://www.hp.com/go/hpprocurve>

# Contents

---

<b>Software Management</b> .....	<b>1</b>
<b>Downloading Switch Documentation and Software from the Web</b> .....	<b>1</b>
<b>Downloading Software to the Switch</b> .....	<b>2</b>
TFTP Download from a Server .....	2
Xmodem Download From a PC or Unix Workstation .....	4
<b>Saving Configurations While Using the CLI</b> .....	<b>5</b>
<b>HP Procurve Switch Software Key</b> .....	<b>5</b>
<b>Partial List of Features Supported in Release E.05.04 (and Greater)</b> ...	<b>6</b>
<b>Operating Notes</b> .....	<b>7</b>
<b>Clarification of Time Zone Issue</b> .....	<b>7</b>
<b>Clarification of Heterogenous Switch Meshing</b> .....	<b>7</b>

*This page is intentionally unused.*

# Software Management

---


## Downloading Switch Documentation and Software from the Web

You can download software updates and the corresponding product documentation from HP's Procurve website as described below.

### **To Download a Software Version:**

1. Go to HP's Procurve website at <http://www.hp.com/go/hpprocurve>.
2. Click on **software** (in the sidebar).
3. Under **latest software**, click on **switches**.

**To Download Product Documentation:** You will need the Adobe® Acrobat® Reader to view, print, and/or copy the product documentation.

1. Go to HP's ProCurve website at <http://www.hp.com/go/hpprocurve>.
2. Click on **technical support**, then **manuals**.
3. Click on the name of the product for which you want documentation.
4. On the resulting web page, double-click on a document you want.
5. When the document file opens, click on the disk icon  in the Acrobat® toolbar and save a copy of the file.

## Downloading Software to the Switch

HP periodically provides switch operating system (OS) updates through the HP Procurve website (<http://www.hp.com/go/hpprocurve>). After you acquire the new OS file, you can use one of the following methods for downloading the operating system (OS) code to the switch:

- For a TFTP transfer from a server, do either of the following:
  - Click on **Download OS** in the Main Menu of the switch's menu interface and use the (default) **TFTP** option.
  - Use the **copy tftp** command in the switch's CLI (see below).
- For an Xmodem transfer from a PC or Unix workstation, do either of the following:
  - Click on **Download OS** in the Main Menu of the switch's menu interface and select the **Xmodem** option.
  - Use the `copy xmodem` command in the switch's CLI (page 4).
- HP's SNMP Download Manager included in HP TopTools for Hubs & Switches
- A switch-to-switch file transfer

---

### Note

Downloading a new OS does not change the current switch configuration. The switch configuration is contained in a separate file that can also be transferred, for example, for archive purposes or to be used in another switch of the same model.

---

This section describes how to use the CLI to download an OS to the switch. You can also use the menu interface for OS downloads. For more information, refer to the *Management and Configuration Guide* for your switch.

### TFTP Download from a Server

**Syntax:** `copy tftp flash <ip-address> <remote-os-file> [ < primary | secondary > ]`

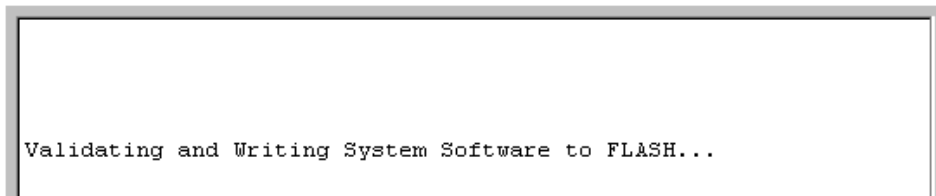
Note that if you do not specify the flash destination, the TFTP download defaults to the primary flash.

For example, to download an OS file named E\_05\_04.swi from a TFTP server with the IP address of 10.28.227.103:

1. Execute the copy command as shown below:

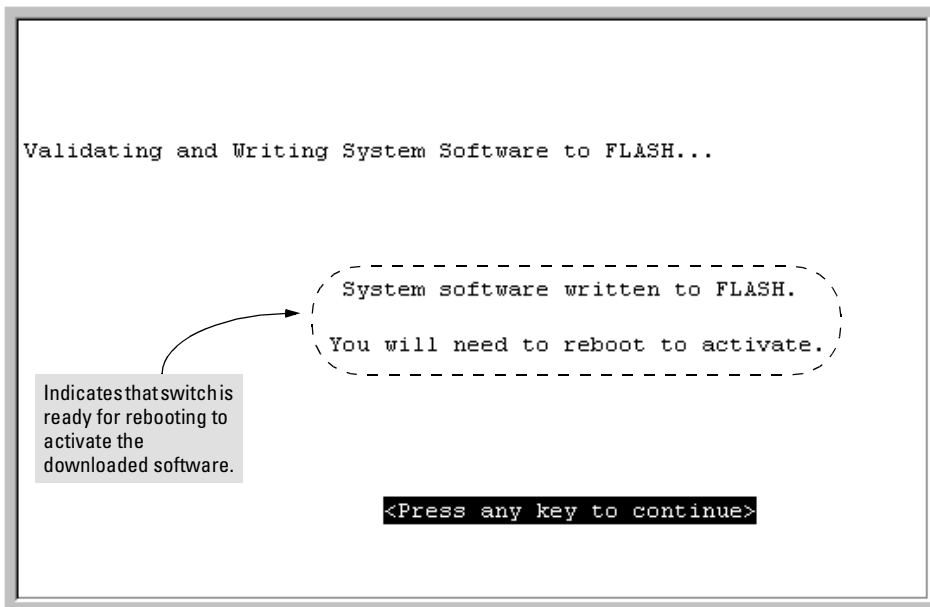
```
HPswitch# copy tftp flash 10.28.227.103 E_05_02.swi
Device will be rebooted, do you want to continue [y/n]? y
00224K _
```

- When the switch finishes downloading the OS file from the server, it displays this progress message:



**Figure 1. Message Indicating the Switch Is Writing the Downloaded Software to Flash Memory**

- After the switch writes the downloaded software to flash memory, you will see this screen:



**Figure 2. Message Indicating the Switch Is Ready To Activate the Downloaded Software**

- Reboot the switch.

After the switch reboots, it displays the CLI or Main Menu, depending on the **Logon Default** setting last configured in the menu's Switch Setup screen.

## Xmodem Download From a PC or Unix Workstation

This procedure assumes that:

- The switch is connected via the Console RS-232 port on a PC operating as a terminal. (Refer to the Installation Guide you received with the switch for information on connecting a PC as a terminal and running the switch console interface.)
- The switch operating system (OS) is stored on a disk drive in the PC.
- The terminal emulator you are using includes the Xmodem binary transfer feature. (For example, in the Windows NT terminal emulator, you would use the **Send File** option in the **Transfer** dropdown menu.)

**Syntax:**    `copy xmodem flash < unix | pc >`

For example, to download an OS file from a PC:

1. To reduce the download time, you may want to increase the baud rate in your terminal emulator and in the switch to a value such as 57600 bits per second. (The baud rate must be the same in both devices.) For example, to change the baud rate in the switch to 57600, execute this command:

```
HPswitch(config)# console baud-rate 57600
```

(If you use this option, be sure to set your terminal emulator to the same baud rate.)

2. Execute the following command in the CLI

:

```
HPswitch(config)# copy xmodem flash pc
Device will be rebooted, do you want to continue [y/n]? y
Press 'Enter' and start XMODEM on your host...
```

3. Execute the terminal emulator commands to begin the Xmodem transfer.

The download can take several minutes, depending on the baud rate used in the transfer.

When the download finishes, the switch automatically reboots itself and begins running the new OS version.

4. To confirm that the operating system downloaded correctly:

```
HPswitch> show system
```

Check the **Firmware revision** line.

5. If you increased the baud rate on the switch (step 1), use the same command to return it to its previous setting. (HP recommends a baud rate of 9600 bits per second for most applications.)

(Remember to return your terminal emulator to the same baud rate as the switch.)

## Saving Configurations While Using the CLI

The switch operates with two configuration files:

- **Running-Config File:** Exists in volatile memory and controls switch operation. Rebooting the switch erases the current running-config file and replaces it with an exact copy of the current startup-config file. To save a configuration change, you must save the running configuration to the startup-config file.
- **Startup-Config File:** Exists in flash (non-volatile) memory and preserves the most recently-saved configuration as the "permanent" configuration. When the switch reboots for any reason, an exact copy of the current startup-config file becomes the new running-config file in volatile memory.

When you use the CLI to make a configuration change, the switch places the change in the running-config file. If you want to preserve the change across reboots, you must save the change to the startup-config file. Otherwise, the next time the switch reboots, the change will be lost. There are two ways to save configuration changes while using the CLI:

- Execute **write memory** from the Manager, Global, or Context configuration level.
- When exiting from the CLI to the Main Menu, press Y (for Yes) when you see the "save configuration" prompt:

```
Do you want to save current configuration [y/n] ?
```

---

## HP Procurve Switch Software Key

Software Letter	HP Procurve Switch
C	1600M, 2400M, 2424M, 4000M, 8000M
E	Series 5300XL (5304XL and 5308XL)
F	Series 2500 (2512 and 2524)
G	Series 4100GL (4104GL and 4108GL)

---

## Partial List of Features Supported in Release E.05.04 (and Greater)

---

Release E.05.04 provides these and other features:

- Switch Meshing
- VLAN support and tagging—802.1Q (4096 VLAN IDs) and 256 VLANs simultaneously
- These Layer 3 features:
  - IP static routes
  - OSPF
  - RIP
  - IRDP
- DHCP relay
- These access security features:
  - TACACS+
  - RADIUS Authentication and Accounting
  - Secure Shell (SSH) Authentication
  - Port-Based Access Control (802.1x)
  - Port Security
  - Authorized IP Managers
  - Local Manager and Operator passwords
- QoS (Quality-of-Service) supporting 802.1p and IP Type-of-Service for traffic marking
- Spanning Tree: 802.1w (RSTP) and 802.1d (STP)
- Multimedia traffic control with IP multicast (IGMP)
- SNMP network management
- CDP-v1 support
- Filters: multicast, protocol, and source-port
- SNTP and TimeP time protocols
- Trunking: Dynamic and static LACP, static trunks, and FEC (Fast Ether-Channel®)
- RMON, extended RMON, and switch monitoring (SMON)
- "Friendly" port naming

For information on these and other features available in your switch, refer to the following publications:

- *Management and Configuration Guide for the HP Procurve Series 5300GL Switches*
- *Access Security Guide for the HP Procurve Series 5300GL Switches*

For copies of the above guides, refer to either the Product Documentation CD-ROM shipped with the switch or (for the latest version of any HP switch documentation) visit the HP Procurve website. (See "To Download Product Documentation:" on page 1.)

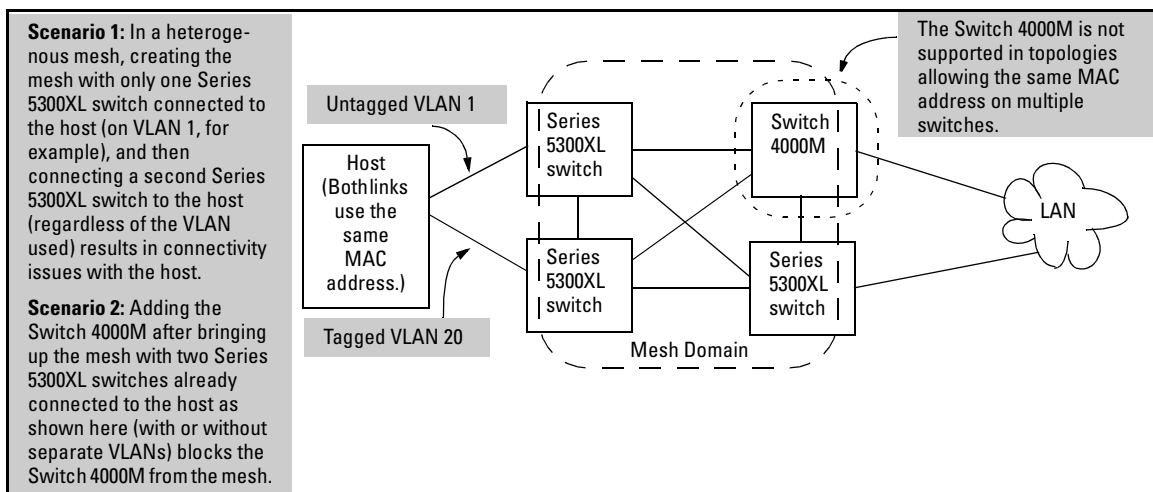
# Operating Notes

## Clarification of Time Zone Issue

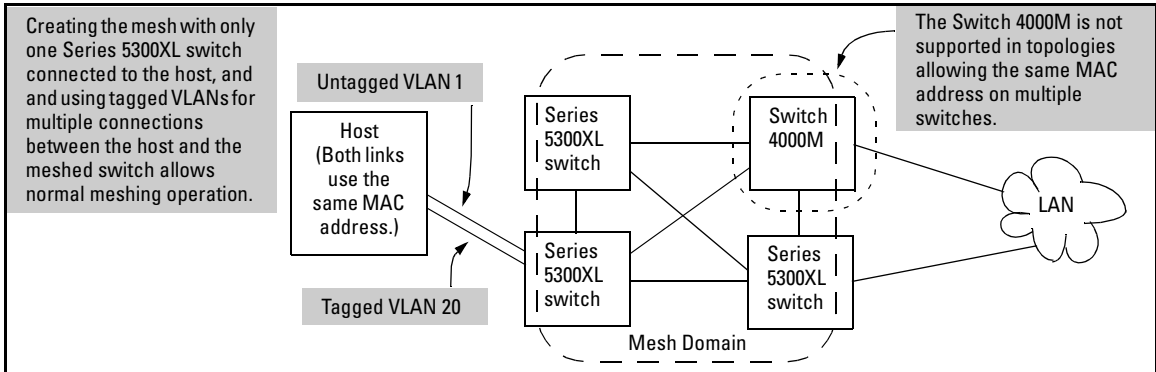
Starting with release E.05.xx, the method of configuring the Time Zone for TimeP or SNTP configuration has been updated. Previous switch software for all HP Procurve switches used positive time offset values for time zones that are West of GMT and negative values for time zones that are East of GMT. The standards indicate that time zones West of GMT should be designated by negative offset values, and time zones East of GMT by positive values. Software version E.05.xx updates this configuration method, but if you use the same values for indicating time zones as you did for previous HP Procurve switches, the time will be set incorrectly on your Series 5300GL switch. For example, for previous HP Procurve switches, the US Pacific time zone was configured by entering **+480**. With software version E.05.xx, the US Pacific time zone must now be configured by entering **-480**.

## Clarification of Heterogenous Switch Meshing

The Series 5300XL switches can operate in switch mesh domains that include HP Procurve 1600M, 2400M, 2424M, 4000M, and 8000M switches. However, such domains must be free of duplicate MAC addresses on multiple switches and different VLANs. Refer to figures 3 and 4:



**Figure 3. Example of an Unsupported Heterogenous Topology Where Duplicate MAC Addresses Come Through Different Switches (Regardless of the VLANs Used)**



**Figure 4. Example of a Supported Heterogenous Topology Where Duplicate MAC Addresses Come Through Different VLANs on the Same Switch**

Note that in figures 3 and 4, if all switches are Series 5300XL switches, then you can use either topology.

*This page is intentionally unused.*



i n v e n t

© 2001-2002 Hewlett-Packard Company. All rights reserved. Reproduction, adaptation, or translation without prior written permission is prohibited except as allowed under the copyright laws.

HP Part Number: 5990-3038  
Edition 2, May 2002

The information contained in this document is subject to change without notice.

